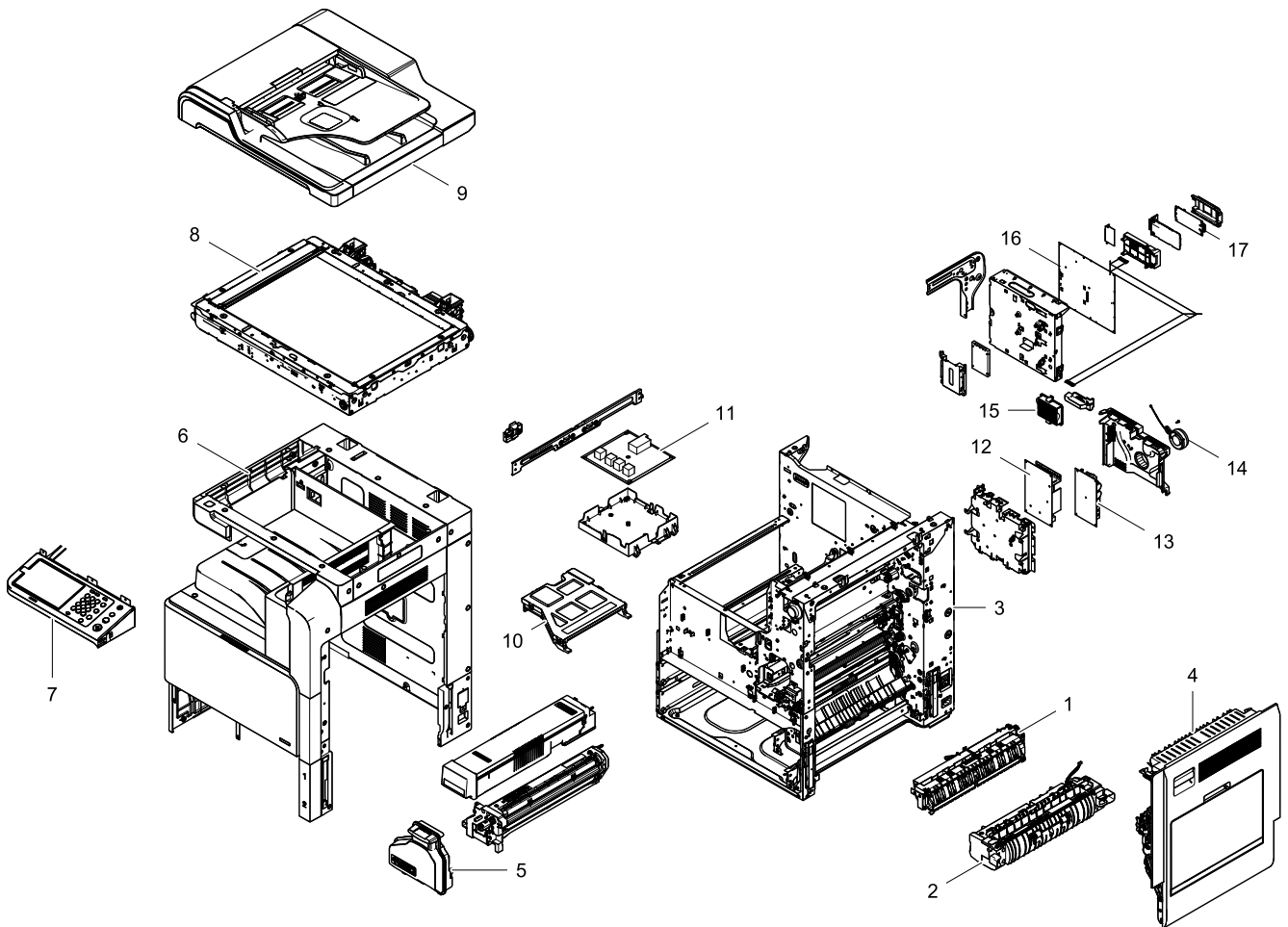


1. Main

Exploded View



Parts List

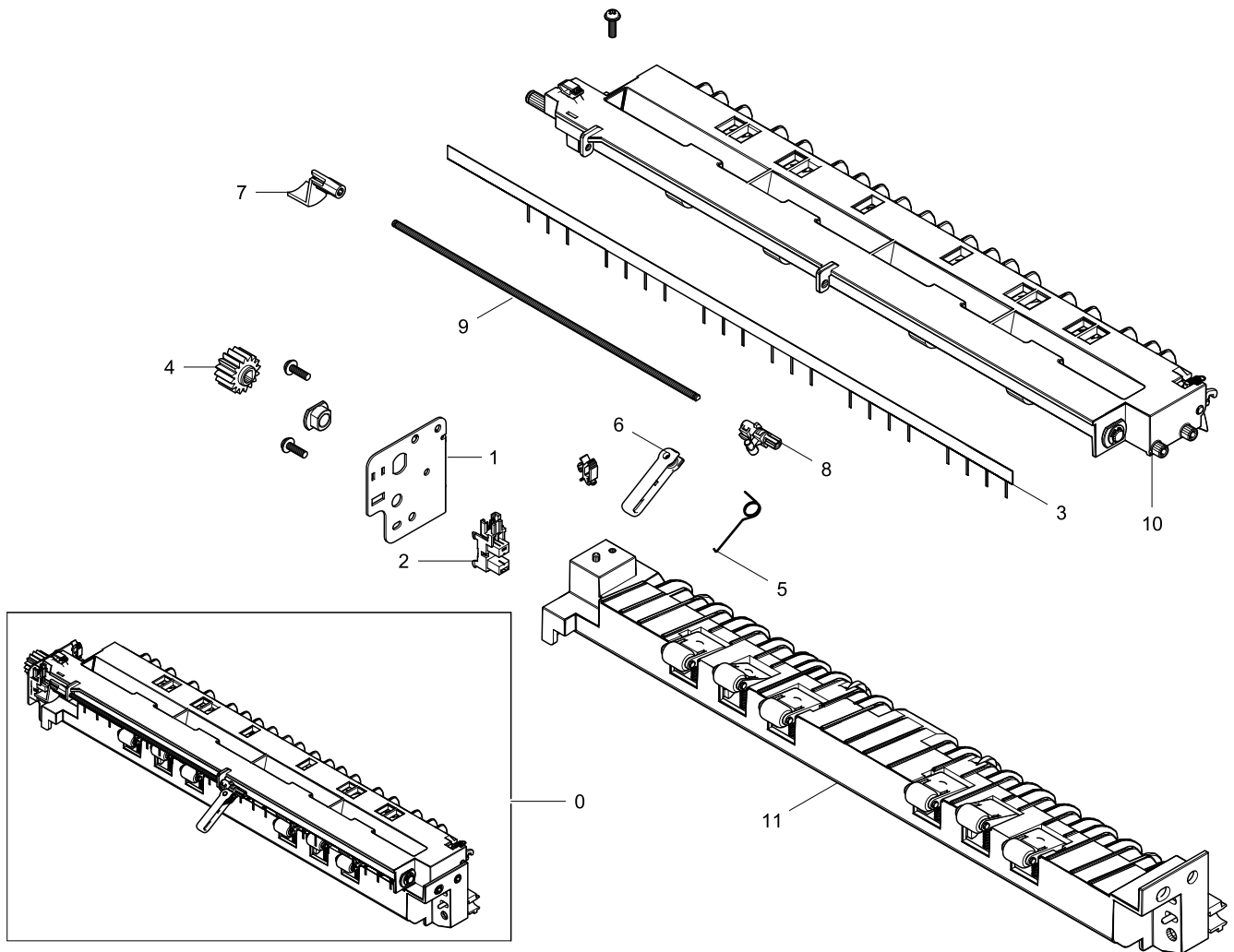
No.	Lvl.	Loc.	Material Code	Description & Specification	SNA	Qty.
1	1		JC90-01118A	EXIT; CLX-9201	SA	1
2	1		JC91-01050A	FUSER; SCX-8128NA,SEC,WORLD,220V	SA	1
3	1		JC93-00439A	FRAME-MAIN ENGINE; SCX-8128NA,SEC,WORLD	SNA	1
4	1		JC95-01508A	COVER-SIDE MONO; CLX-9201	SA	1
5	1		JC96-06214A	CARTRIDGE-WTB; SCX-8128NA,SEC,WORLD	SNA	1
6	1		JC95-01495A	COVER; SCX-8128NA,WORLD,SEC	SNA	1
7	1		JC97-04006B	OPE; CLX-9201,WORLD,SEC	SNA	1
8	1		JC97-04020A	PLATEN FR HR; CLX-9201,SCANNER	SA	1
9	1		JC97-03989A	DADF; CLX-9201,SEC	SA	1
10	1		JC97-04017A	LSU; SCX-8123ND,SEC,single,A3,600,Single	SA	1
11	2		JC44-00182A	HVPS; 24V,21.6V~27.6V,MAX 8KV,MAX-8KV,600	SA	1

Exploded Views and Parts List

No.	Lvl.	Loc.	Material Code	Description & Specification	SNA	Qty.
12	1		JC44-00100C	SMPS-V2; CLX-9201,PSPN TYPE5-V2,AC-DC,275	SA	1
13	1		JC44-00211A	FDB-POLARIS / EVERGREEN_V2; CLX-9201,POL	SA	1
14	2		JC29-00002A	FILTER BPF; SCX-8025ND	SNA	1
15	2		JC29-00002A	FILTER BPF; SCX-8025ND	SNA	1
16	2		JC92-02452A	PBA-MAIN; SCX-8128,SEC,FR-4,6Layer	SA	1
17	2		JC92-02439A	PBA-FAX JOINT; CLX-9201,SEC,CEM-3,2Layer	SA	1

2. EXIT

Exploded View



Parts List

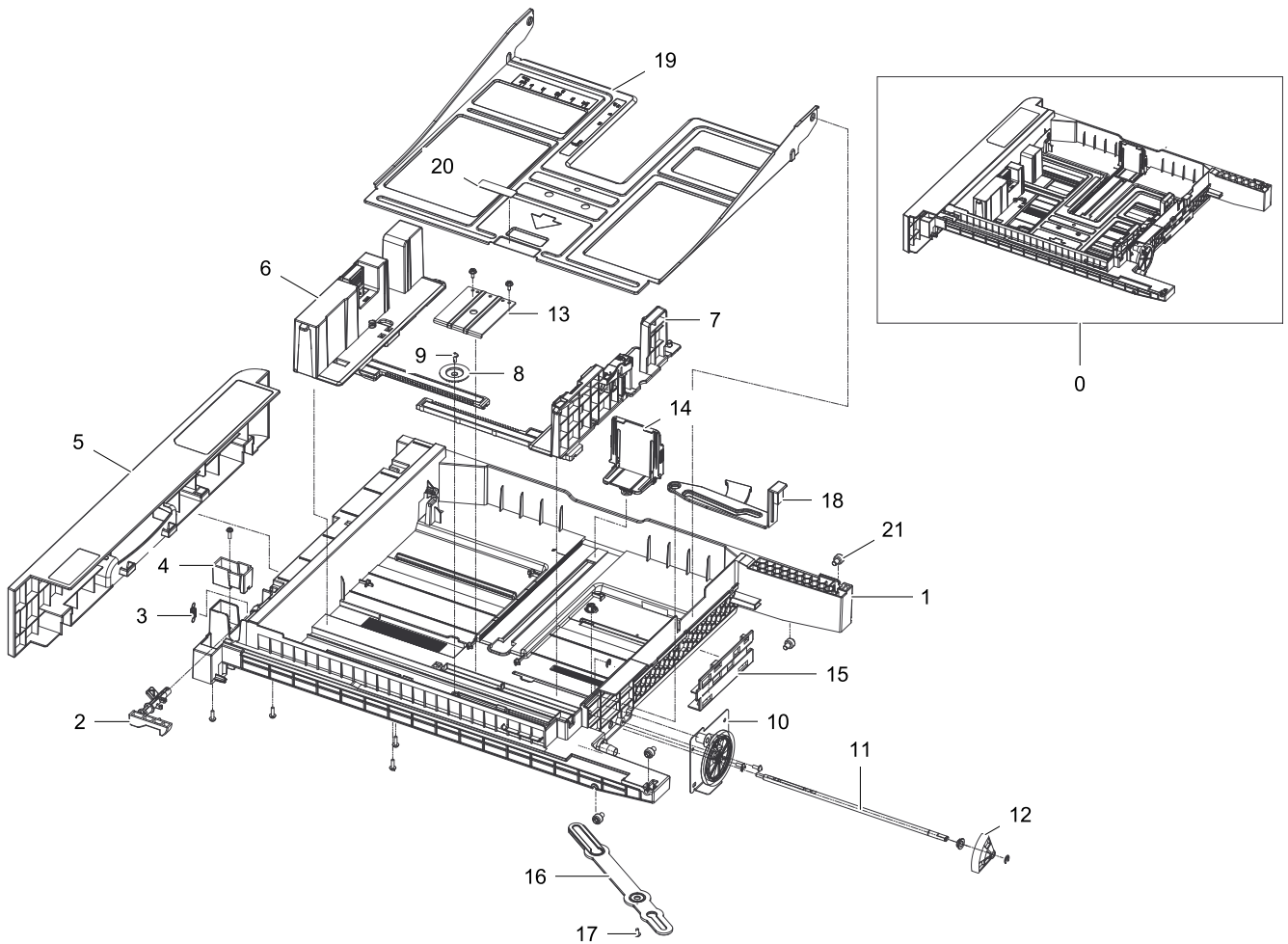
No.	Lvl.	Loc.	Material Code	Description & Specification	SNA	Qty.
0	1		JC90-01118A	EXIT; CLX-9201	SA	1
1	2		JC61-04690A	BRACKET-REAR EXIT; CLX-9201,SECC,T1.0,48,	SNA	1
2	2	E9322	0604-001393	PHOTO-INTERRUPTER; TR,75mW,BGA,TR	SA	1
3	2		JC67-00563A	BRUSH-EXIT; CLX-9201,SUS FIBER,347.5,16.9	SNA	1
4	2		JC66-02163A	GEAR-EXIT; CLX-9350,POM,1.0,16,18.39	SA	1
5	2		6107-002654	SPRING-TS; SUS304,PI0.45,ID6.5,OD7.4,RIGH	SC	1
6	2		JC66-02217A	ACTUATOR-F_D FULL EXIT; CLX-9350,PC,Black	SA	1
7	2		JC66-02218A	LEVER-ACTURATOR F_D FULL; CLX-9350,PC,HAZ	SA	1
8	2		JC66-02278A	LEVER-ACT FULL EXIT; CLX-9350,PC,Black	SA	1

Exploded Views and Parts List

No.	Lvl.	Loc.	Material Code	Description & Specification	SNA	Qty.
9	2		JC66-02423A	SHAFT-ACTUATOR F_D FULL EXIT; CLX-9350,SU	SNA	1
10	2		JC90-01132A	EXIT-GUIDE UPPER; CLX-9201	SNA	1
11	2		JC90-01133A	EXIT-GUIDE LOWER; CLX-9201	SNA	1

3. CASSETTE-1ST

Exploded View



Parts List

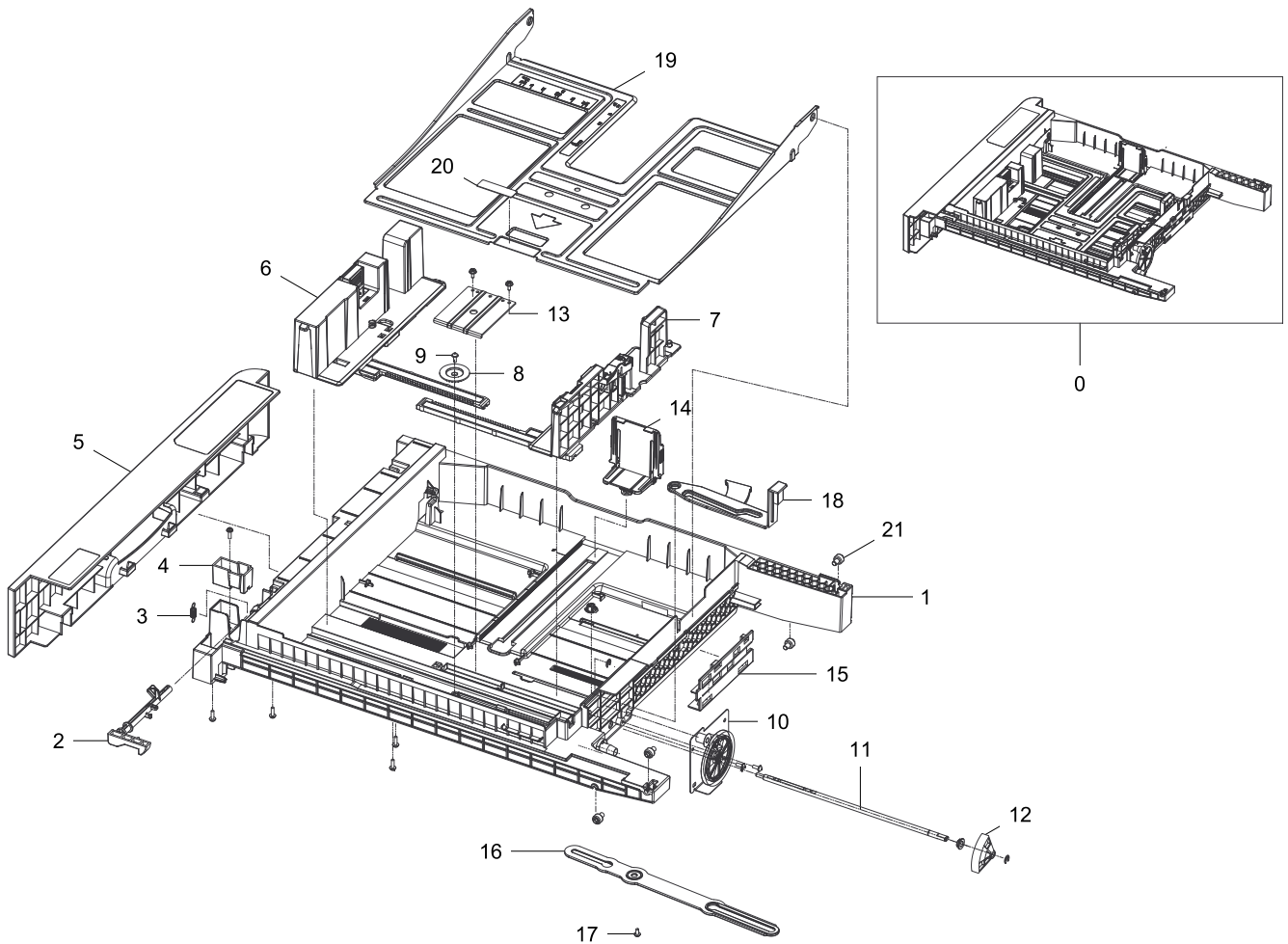
No.	Lvl.	Loc.	Material Code	Description & Specification	SNA	Qty.
0	1		JC90-01140A	CASSETTE-1ST; CLX-9201,SEC	SA	1
1	3		JC61-04712A	FRAME-CASSETTE 1ST; CLX-9201,HIPS,G72797,	SNA	1
2	3		JC64-00715A	LOCKER-CASSETTE 1ST; CLX-9201,POM,BLACK,7	SA	1
3	3		6107-001761	SPRING-ES; SWP B,PI0.55,L27.9,ID4.35,OD4.	SA	1
4	3		JC61-04886A	HOLDER-LOCKER; CLX-9201,HIPS,24,22.7,40.6	SA	1
5	2		JC90-01129A	CASSETTE-COVER; CLX-9201,SEC	SNA	1
6	3		JC90-01130A	CASSETTE-GUIDE FRONT; CLX-9201,SEC	SNA	1
7	3		JC90-01131A	CASSETTE-GUIDE REAR; CLX-9201,SEC	SNA	1
8	3	15678	JC66-01020A	GEAR-M_PINION 24; SCX-6345N/XRX,POM,1,24,	SA	1

Exploded Views and Parts List

No.	Lvl.	Loc.	Material Code	Description & Specification	SNA	Qty.
9	3	F9821	6002-000440	SCREW-TAPPING; PWH,+2,M3,L8,ZPC(BLK),SWR	SNA	3
10	3		JC90-01128A	CASSETTE-BRACKET LIFT; CLX-9201,SEC	SNA	1
11	3		JC66-03285A	SHAFT-LIFTING CST; CLX-9201,SUM 23,229.1,	SNA	1
12	3		JC66-03278A	GEAR-LIFTING CST; CLX-9201,POM,1,60	SNA	1
13	3		JC61-03206A	PLATE-LEVER; CLX-9350,EGI-SECC,1.6T,73,60	SNA	1
14	3		JC61-04718A	GUIDE-LEFT; CLX-9201,HIPS,64,79.3,ICE-GRE	SA	1
15	3		JC64-00704A	INDICATOR-SIZE REAR; CLX-9201,POM,111.5X2	SNA	1
16	3		JC66-03202A	LEVER-LINK SIZE 1ST; CLX-9201,ABS,3,19.2,	SNA	1
17	3	F9907	6003-000264	SCREW-TAPTYPE; PWH,+,-,B,M3,L6,ZPC(WHT),S	SNA	4
18	3		JC64-00703A	INDICATOR-SIZE SIDE; CLX-9201,ABS,G72797,	SNA	1
19	3		JC61-04767A	PLATE-KNOCK UP; CLX-9201,EGI-SECC,0.8T,36	SNA	1
20	3		JC62-00946A	SEAL-PAD CST; CLX-9201,Flocking,BLK,0.5,4	SNA	1
21	3		JC61-03331A	ROLLER-IDLE CST; CLX-9350,POM,OD10,L16.5,	SA	4

4. CASSETTE-2ND

Exploded View



Parts List

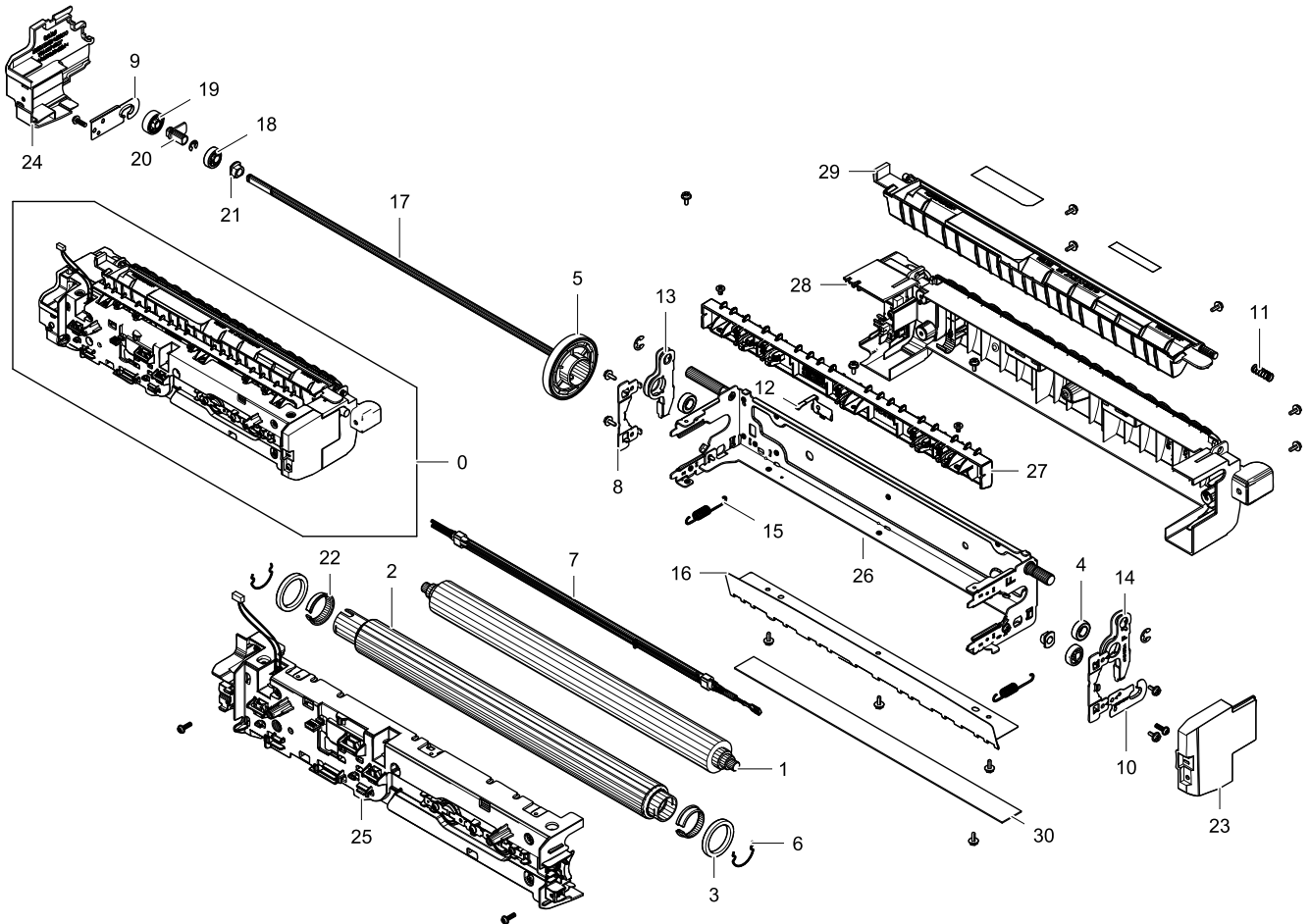
No.	Lvl.	Loc.	Material Code	Description & Specification	SNA	Qty.
0	1		JC90-01141A	CASSETTE-2ND; CLX-9201,SEC	SA	1
1	3		JC61-04713A	FRAME-CASSETTE 2ND; CLX-9201,HIPS,G72797,	SNA	1
2	3		JC64-00716A	LOCKER-CASSETTE 2ND; CLX-9201,POM,BLACK,1	SA	1
3	3		6107-001761	SPRING-ES; SWP B,PI0.55,L27.9,ID4.35,OD4.	SA	1
4	3		JC61-04886A	HOLDER-LOCKER; CLX-9201,HIPS,24,22.7,40.6	SA	1
5	2		JC90-01129A	CASSETTE-COVER; CLX-9201,SEC	SNA	1
6	3		JC90-01130A	CASSETTE-GUIDE FRONT; CLX-9201,SEC	SNA	1
7	3		JC90-01131A	CASSETTE-GUIDE REAR; CLX-9201,SEC	SNA	1
8	3	15678	JC66-01020A	GEAR-M_PINION 24; SCX-6345N/XRX,POM,1,24,	SA	1

Exploded Views and Parts List

No.	Lvl.	Loc.	Material Code	Description & Specification	SNA	Qty.
9	3	F9821	6002-000440	SCREW-TAPPING; PWH,+2,M3,L8,ZPC(BLK),SWR	SNA	3
10	3		JC90-01128A	CASSETTE-BRACKET LIFT; CLX-9201,SEC	SNA	1
11	3		JC66-03285A	SHAFT-LIFTING CST; CLX-9201,SUM 23,229.1,	SNA	1
12	3		JC66-03278A	GEAR-LIFTING CST; CLX-9201,POM,1,60	SNA	1
13	3		JC61-03206A	PLATE-LEVER; CLX-9350,EGI-SECC,1.6T,73,60	SNA	1
14	3		JC61-04718A	GUIDE-LEFT; CLX-9201,HIPS,64,79.3,ICE-GRE	SA	1
15	3		JC64-00704A	INDICATOR-SIZE REAR; CLX-9201,POM,111.5X2	SNA	1
16	3		JC66-03201A	LEVER-LINK SIZE 2ND; CLX-9201,ABS,21.2,19	SNA	1
17	3	F9907	6003-000264	SCREW-TAPTYPE; PWH,+,-,B,M3,L6,ZPC(WHT),S	SNA	4
18	3		JC64-00703A	INDICATOR-SIZE SIDE; CLX-9201,ABS,G72797,	SNA	1
19	3		JC61-04767A	PLATE-KNOCK UP; CLX-9201,EGI-SECC,0.8T,36	SNA	1
20	3		JC62-00946A	SEAL-PAD CST; CLX-9201,Flocking,BLK,0.5,4	SNA	1
21	3		JC61-03331A	ROLLER-IDLE CST; CLX-9350,POM,OD10,L16.5,	SA	4

5. FUSER

Exploded View



Parts List

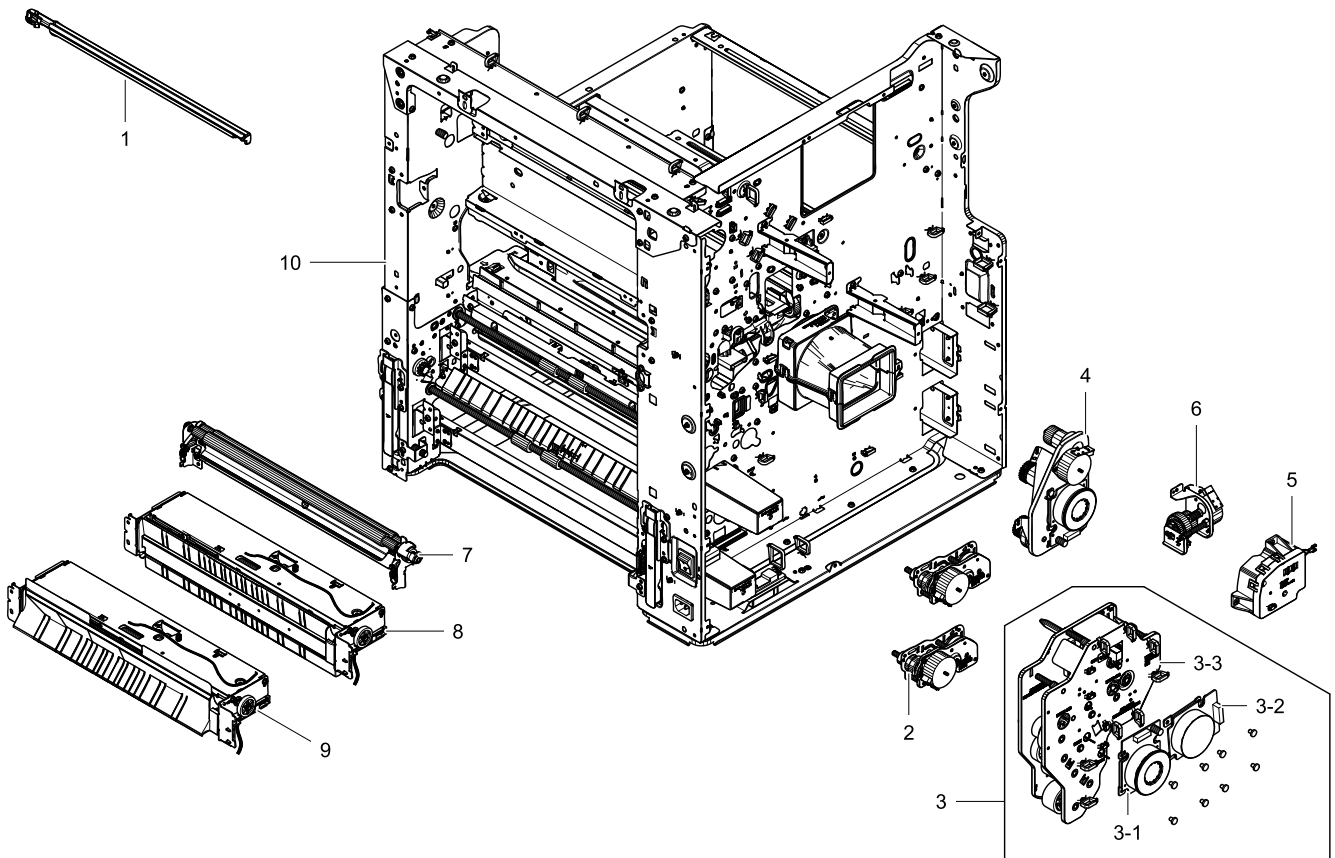
No.	Lvl.	Loc.	Material Code	Description & Specification	SNA	Qty.
0	1		JC91-01050A	FUSER; SCX-8128NA,SEC,WORLD,220V	SA	1
1	2		JC66-03256A	ROLLER-PRESSURE; SCX-8123ND,STKM+SPONGE,2	SA	1
2	2		JC66-03257A	ROLLER-HEAT; SCX-8123ND,AL3304-H34,30,GRA	SA	1
3	2	G9039	6601-001479	BEARING-BALL; 6705ZZ,ID25.0,OD32.0,L4,CWB	SA	2
4	2		6601-002415	BEARING-BALL; L-1680HHMTRLY13,ID8,OD16,68	SNA	2
5	2		JC66-03131A	GEAR-DRIVE; SCX-8123ND,PPS,1.0,Z53,OD55	SA	1
6	2		6107-003005	SPRING-ETC; SUS304,CD1.0	SA	2
7	2		4713-001633	LAMP-HALOGEN; 230V,1300W,13*9.8*379.9	SA	1
8	2		JC61-04515A	BRACKET-BEARING; SCX-8128NA,EGI-SECC,T1.2	SNA	2

Exploded Views and Parts List

No.	Lvl.	Loc.	Material Code	Description & Specification	SNA	Qty.
9	2		JC61-04522A	BRACKET-LAMP REAR; SCX-8128NA,SUS304,T0.5	SNA	1
10	2		JC61-04521A	BRACKET-LAMP FRONT; SCX-8128NA,SUS304,T0.	SNA	1
11	2		6107-003003	SPRING-CS; SWP B,CD0.45,L18.8,ID5.9,OD6.8	SA	1
12	2		JC63-03277A	GROUND-BIAS PR; SCX-8128NA,SUS,0.2,W21.7,	SNA	1
13	2		JC61-04519A	BRACKET-SPRING REAR; SCX-8128NA,EGI-SECC,	SNA	1
14	2		JC61-04518A	BRACKET-SPRING FRONT; SCX-8128NA,EGI-SECC	SNA	1
15	2		6107-003004	SPRING-ES; SWP B,CD1.2,L44,OD7.3	SA	2
16	2		JC61-04520A	BRACKET-INPUT PR; SCX-8128NA,SUS304,T0.5,	SNA	1
17	2		JC66-03103A	SHAFT-CAM; SCX-8128NA,SUM22,L384.65,OD6.0	SNA	1
18	2		JC66-03178A	CAM-REAR; SCX-8128ND,POM,W17,D15.4,H6.4,W	SA	2
19	2		JC66-03132A	GEAR-IDLE_M; SCX-8123ND,POM,1.0,Z16,OD18.	SA	1
20	2		JC61-04533A	HOLDER-WHEEL POSITION; SCX-8128ND,PC,T1.5	SNA	1
21	2	H1175	JC61-00423A	BUSH-6_D; ML-9400W,bearing,6,NTR	SA	2
22	2	H1202	JC61-01958A	BUSH-HR; ML-3471ND/SEE,PPS,22.3,24.9,7.0,	SA	2
23	2		JC63-03317A	COVER-SIDE FRONT; SCX-8128ND,PET+GF,2.0,7	SA	1
24	2		JC63-03316A	COVER-SIDE REAR; SCX-8128ND,PET+GF,1.6,75	SA	1
25	2		JC91-01051A	FUSER-FRAME LOWER; SCX-8128NA,SEC,EXP	SNA	1
26	2		JC91-01052A	FUSER-BRACKET PR; SCX-8128NA,SEC,EXP	SNA	1
27	2		JC91-01053A	FUSER-OUTPUT HR; SCX-8128NA,SEC,EXP	SNA	1
28	2		JC91-01054A	FUSER-FRAME UPPER; SCX-8128NA,SEC,EXP	SNA	1
29	2		JC91-01062A	FUSER-OUTPUT PR; SCX-8128NA,SEC,EXP	SNA	1
30	2		JC63-03275A	FELT-BOTTOM; SCX-8128NA,PE,1,W21.7,L304,Y	SNA	1

6. FRAME-MAIN ENGINE

Exploded View

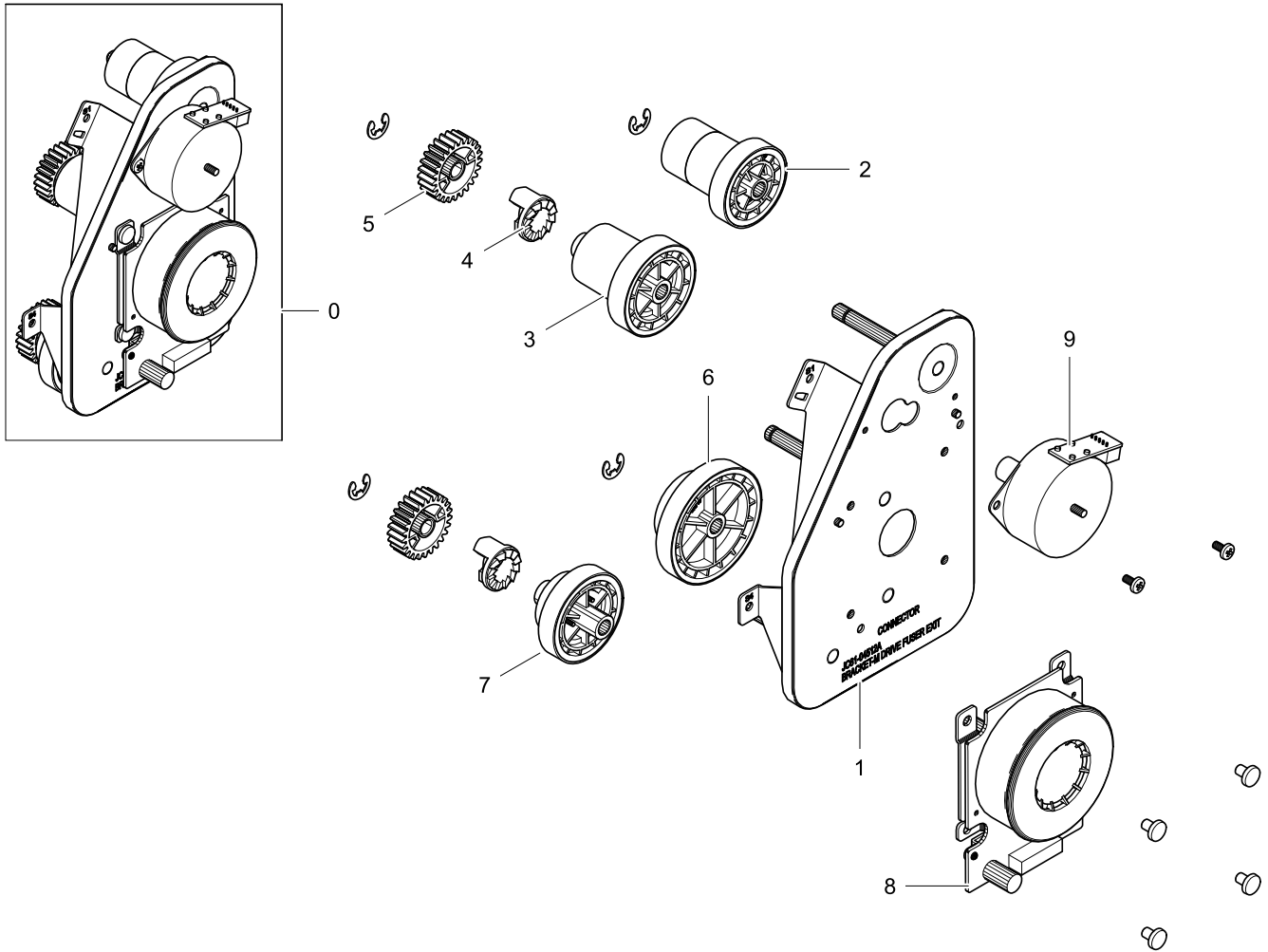


Parts List

No.	Lvl.	Loc.	Material Code	Description & Specification	SNA	Qty.
1	2		JC93-00078B	FRAME-REGI HOLDER DUST; SCX-8040,SEC,WORL	SA	1
2	3		JC93-00442A	DRIVE-PICKUP; CLX-9201NA,SEC	SA	2
3	3		JC93-00448A	DRIVE MAIN; SCX-8128NA,SEC	SA	1
3-1	4		JC31-00123B	MOTOR BLDC; 2000rpm,1200gfcM,24V,2.8A,150	SA	1
3-2	4		JC31-00123A	MOTOR BLDC; 2000rpm,1200gfcM,24V,2.8A,150	SA	1
3-3	4		JC93-00724A	DRIVE-MAIN SUB MONO; SCX-8128NA,SEC	SNA	1
4	3		JC93-00449A	DRIVE-M FUSER EXIT; SCX-8128NA,SEC	SA	1
5	3		JC93-00450A	DRIVE-M TONER SUPPLY; SCX-8128NA,SEC	SA	1
6	3		JC93-00451A	DRIVE-DUCT; SCX-8128NA,SEC	SA	1
7	2		JC93-00508A	FRAME-MAIN REGI; CLX-9201	SNA	1
8	2		JC93-00512A	FRAME MAIN-PICKUP 2ND; CLX-9201,SEC	SNA	1
9	2		JC93-00511A	FRAME MAIN-PICKUP 1ST; CLX-9201,SEC	SNA	1
10	2		JC93-00684A	FRAME-MAIN; SCX-8128,SEC,WORLD	SNA	1

6.1. DRIVE FUSER-EXIT

Exploded View



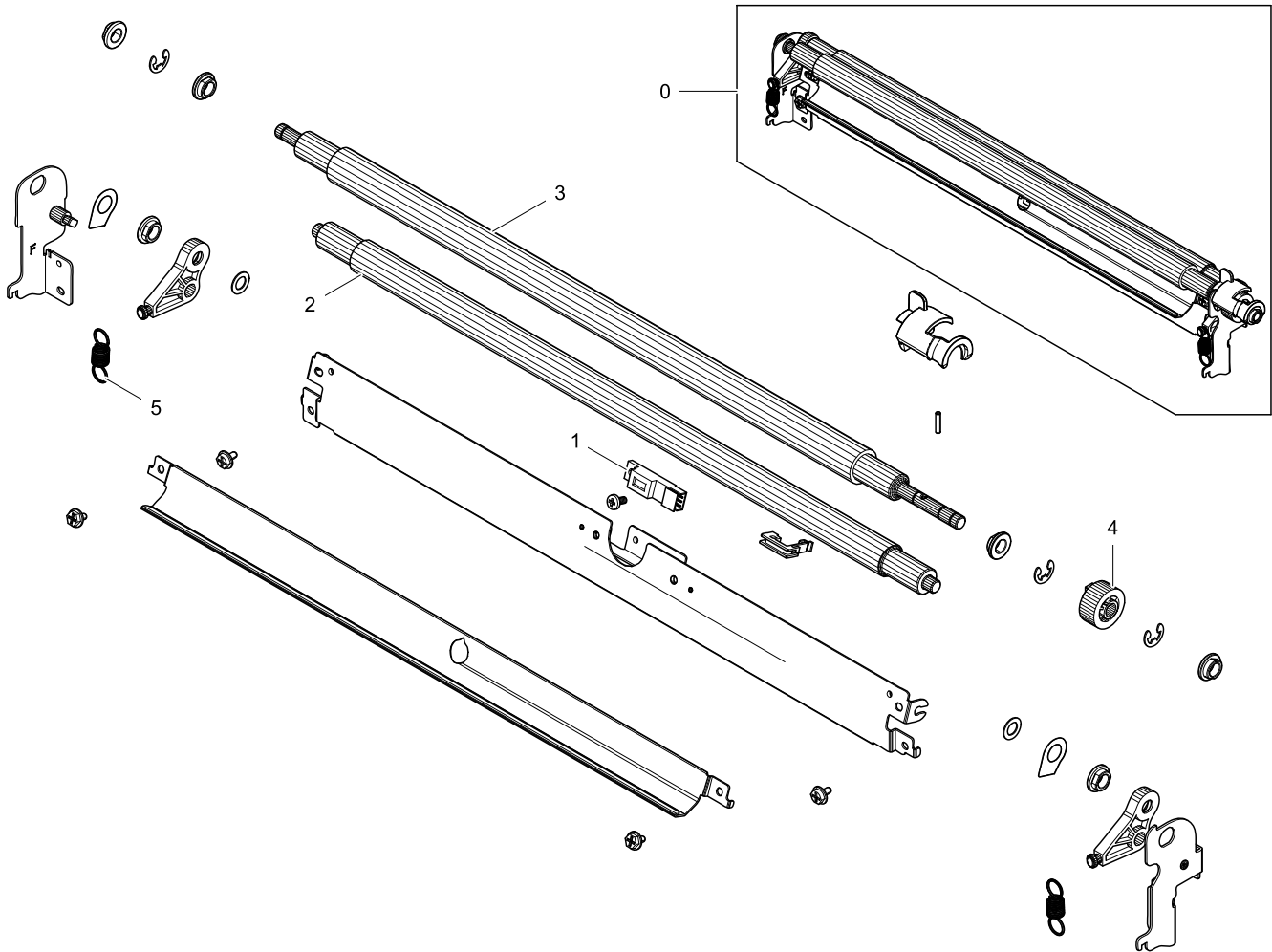
Parts List

No.	Lvl.	Loc.	Material Code	Description & Specification	SNA	Qty.
0	3		JC93-00449A	DRIVE-M FUSER EXIT; SCX-8128NA,SEC	SA	1
1	4		JC61-04512A	BRACKET-M DRIVE FUSER EXIT; SCX-8128NA,EG	SNA	1
2	4		JC66-03108A	GEAR-RDCN EXIT; CLX-9201NA,POM,0.8,1.0,41	SA	1
3	4		JC66-03141A	GEAR-M FUSER ONE WAY; SCX-8128NA,POM,0.5,	SA	1
4	4	C3424	JC66-00340A	GEAR-HUB CLUTCH; SCX-5100,POM,M0.8,Z12,NT	SA	2
5	4	I5889	JC66-00417A	GEAR-RDCN FUSER OUT; ML-2150,NYLON,1,25,8	SA	2
6	4		JC66-03106A	GEAR-RDCN FUSER RELEASE; CLX-9201NA,POM,0	SA	1

No.	Lvl.	Loc.	Material Code	Description & Specification	SNA	Qty.
7	4		JC66-03107A	GEAR-FUSER RELEASE; CLX-9201NA,POM,0.8,43	SA	1
8	4		JC31-00123B	MOTOR BLDC; 2000rpm,1200gfcM,24V,2.8A,150	SA	1
9	4		JC93-00452A	DRIVE-MOTOR STEP; CLX-9201NA,SEC	SNA	1

6.2. FRAME-MAIN REGI

Exploded View

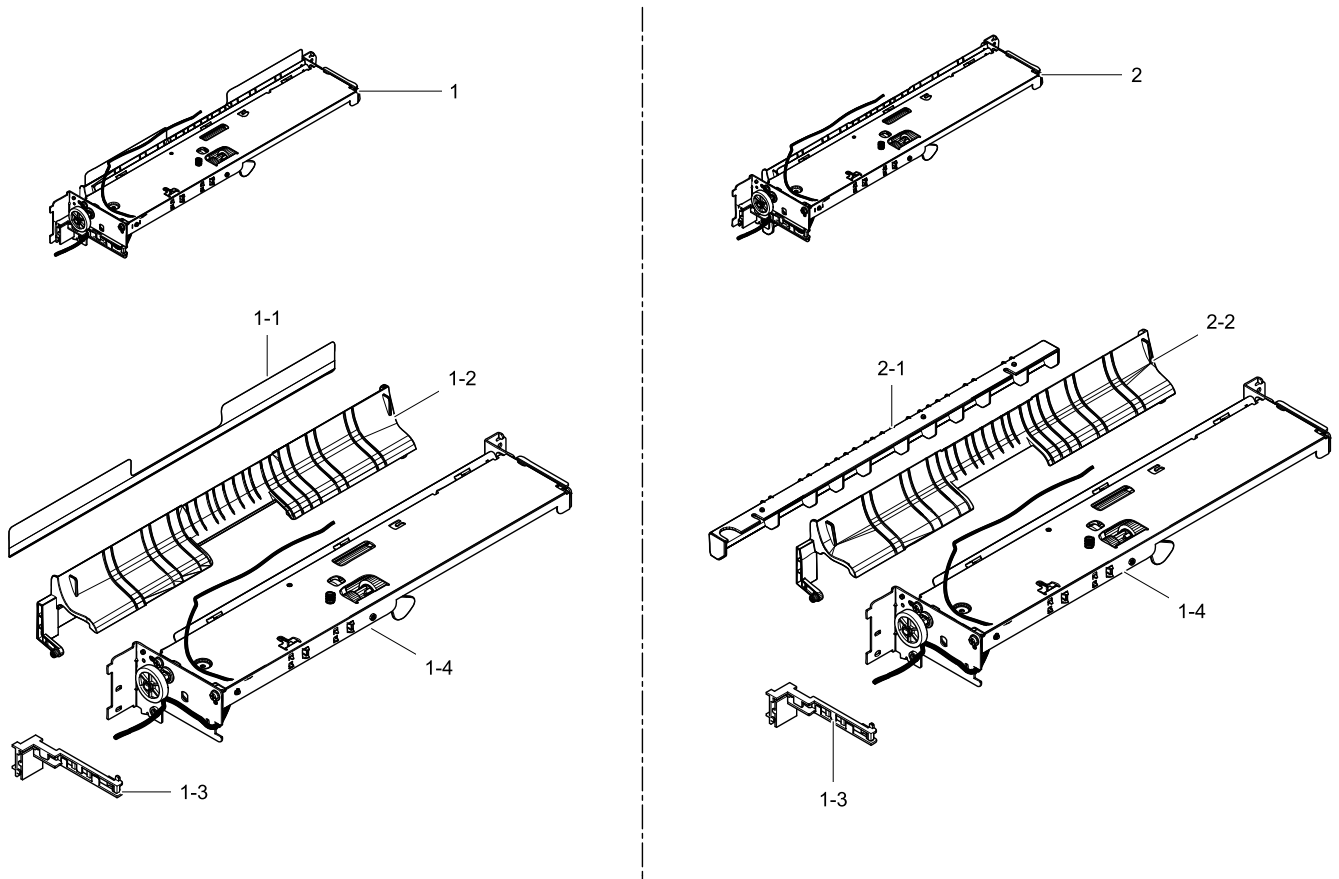


Parts List

No.	Lvl.	Loc.	Material Code	Description & Specification	SNA	Qty.
0	2		JC93-00508A	FRAME-MAIN REGI; CLX-9201	SNA	1
1	3		0604-001381	PHOTO-INTERRUPTER; DIODE,DIP	SA	1
2	3		JC66-03302A	SHAFT-REGI; CLX-9201,SUM 23,361.9,15,STEE	SNA	1
3	3		JC66-03180A	ROLLER-REGI; CLX-9201,EPDM,16,BLACK,ETC R	SA	1
4	3		JC66-03293A	GEAR-ROLLER REGI; CLX-9201,POM,0.8,21,NAT	SNA	1
5	3		6107-003302	SPRING-ES; SWP B,0.9,7.9,26.6	SNA	2

6.3. FRAME MAIN PICKUP1_2

Exploded View

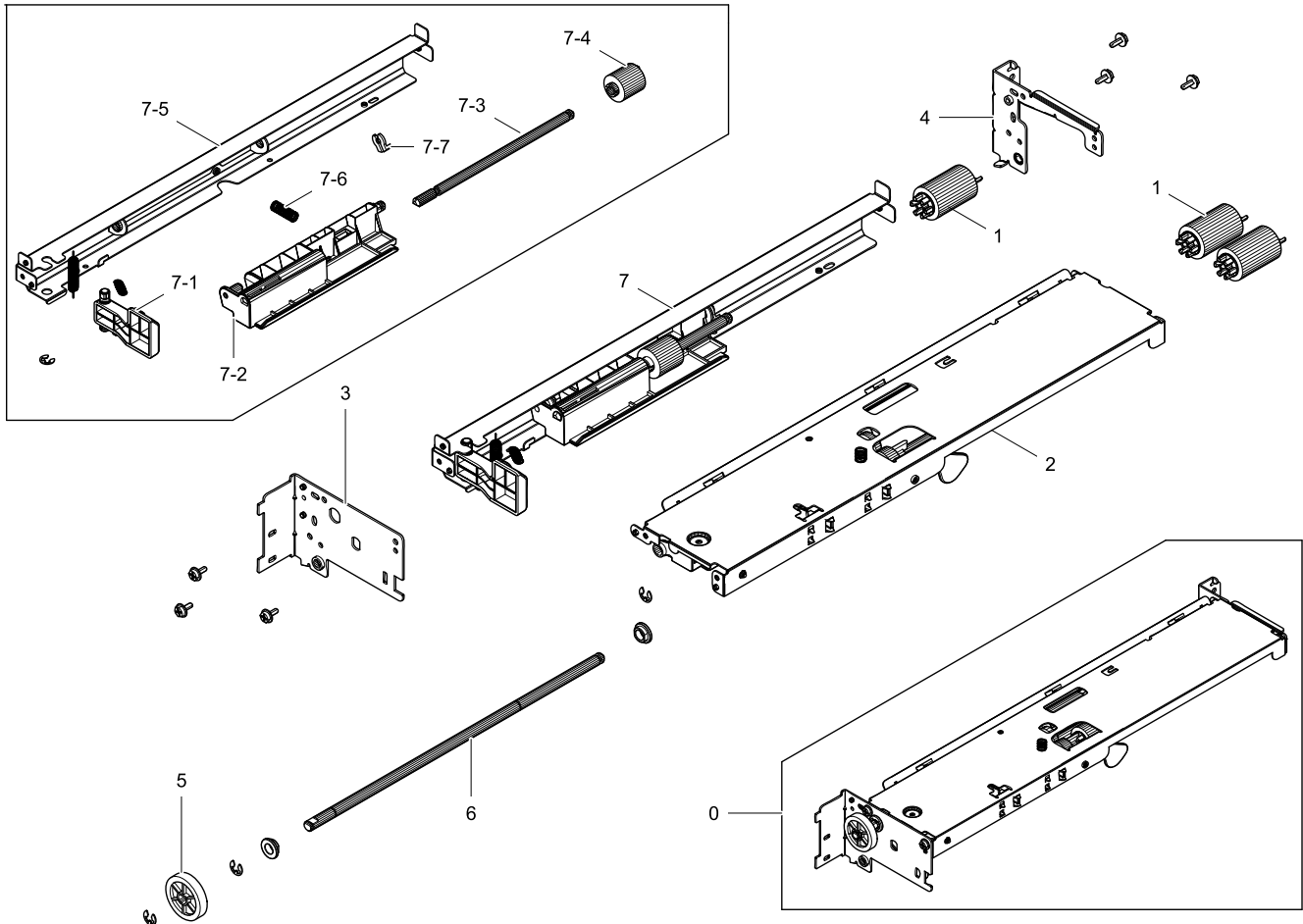


Parts List

No.	Lvl.	Loc.	Material Code	Description & Specification	SNA	Qty.
1	2		JC93-00511A	FRAME MAIN-PICKUP 1ST; CLX-9201,SEC	SNA	1
1-1	3		JC63-03342A	SHEET-GUIDE PICKUP; CLX-9210,PET,0.188,32	SNA	1
1-2	3		JC61-04721A	GUIDE-PICKUP 1ST; CLX-9201,ABS,327,43,HF-	SNA	1
1-3	3		JC61-04723A	GUIDE-HARNESS PICKUP; CLX-9201,ABS,54,20,	SNA	1
1-4	3		JC93-00510A	FRAME MAIN-PICKUP; CLX-9201,SEC	SNA	1
2	2		JC93-00512A	FRAME MAIN-PICKUP 2ND; CLX-9201,SEC	SNA	1
2-1	3		JC61-04735A	GUIDE-PICKUP BOTTOM; CLX-9201,ABS,15,332,	SNA	1
2-2	3		JC61-04717A	GUIDE-PICKUP 2ND; CLX-9201,ABS,327,43,HF-	SNA	1

6.3.1. FRAME MAIN PICKUP

Exploded View



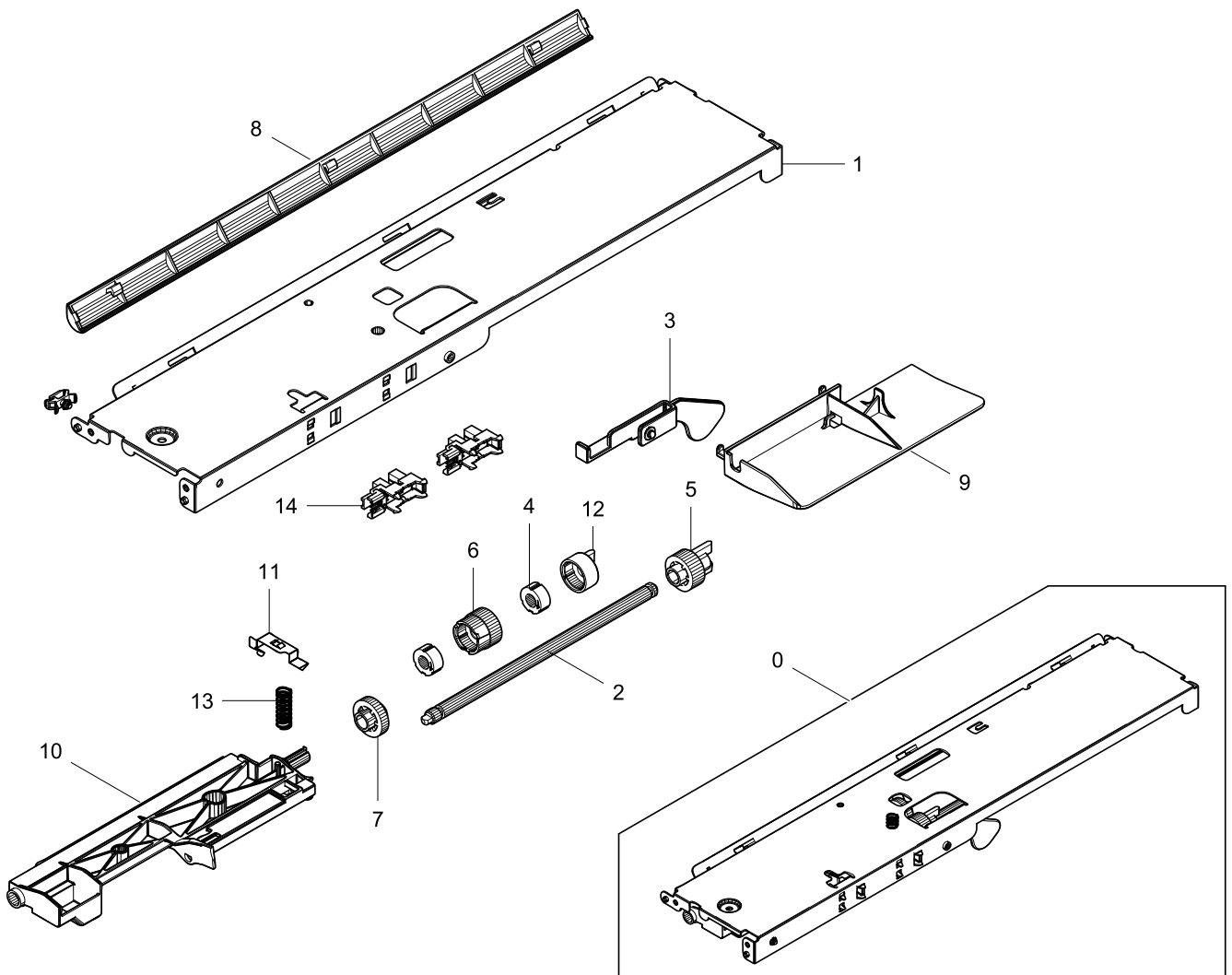
Parts List

No.	Lvl.	Loc.	Material Code	Description & Specification	SNA	Qty.
0	3		JC93-00510A	FRAME MAIN-PICKUP; CLX-9201,SEC	SNA	1
1	4		JC93-00540A	FRAME-MAIN PICK UP ROLLER; CLX-9201	SA	3
2	4		JC93-00504A	FRAME MAIN-PICKUP UPPER; CLX-9201,SEC	SNA	1
3	4		JC61-04731A	BRACKET-PICKUP REAR; CLX-9201,SECC,1.2T,8	SNA	1
4	4		JC61-04730A	BRACKET-PICKUP FRONT; CLX-9201,SECC,1.2T,	SNA	1
5	4		JC66-03281A	GEAR-PICKUP; CLX-9201,POM,0.8,27,WHITE,DE	SNA	1
6	4		JC66-03304A	SHAFT-FORWARD; CLX-9201,SUS303,225.3,6,ST	SNA	1
7	4		JC93-00503A	FRAME MAIN-PICKUP LOWER; CLX-9201,SEC	SNA	1
7-1	5		JC66-03200A	LEVER-INPUT CST; CLX-9201,POM,9,48,28.7,M	SNA	1
7-2	5		JC61-04732A	HOLDER-RETARD; CLX-9201,POM,23,97,24,BLAC	SNA	1

No.	Lvl.	Loc.	Material Code	Description & Specification	SNA	Qty.
7-3	5		JC66-03283A	SHAFT-RETARD; CLX-9201,SUM 23,91.5,6,STEE	SNA	1
7-4	5		JC67-00455A	COUPLER-TORQUELIMITER; CLX-9350,WHITE,350	SNA	1
7-5	5		JC93-00438A	FRAME MAIN-PICKUP BRKT LOWER; CLX-9201,SE	SNA	1
7-6	5		6107-003049	SPRING-CS; SWP B,0.5,26,7.5,FREE,CLOSED E	SNA	1
7-7	5	14806	JC61-01367A	FIXER-M_E RING 4PI; SCX-6345N/XRX,POM,T1.	SA	1

6.3.1.1. FRAME MAIN PICKUP UPPER

Exploded View

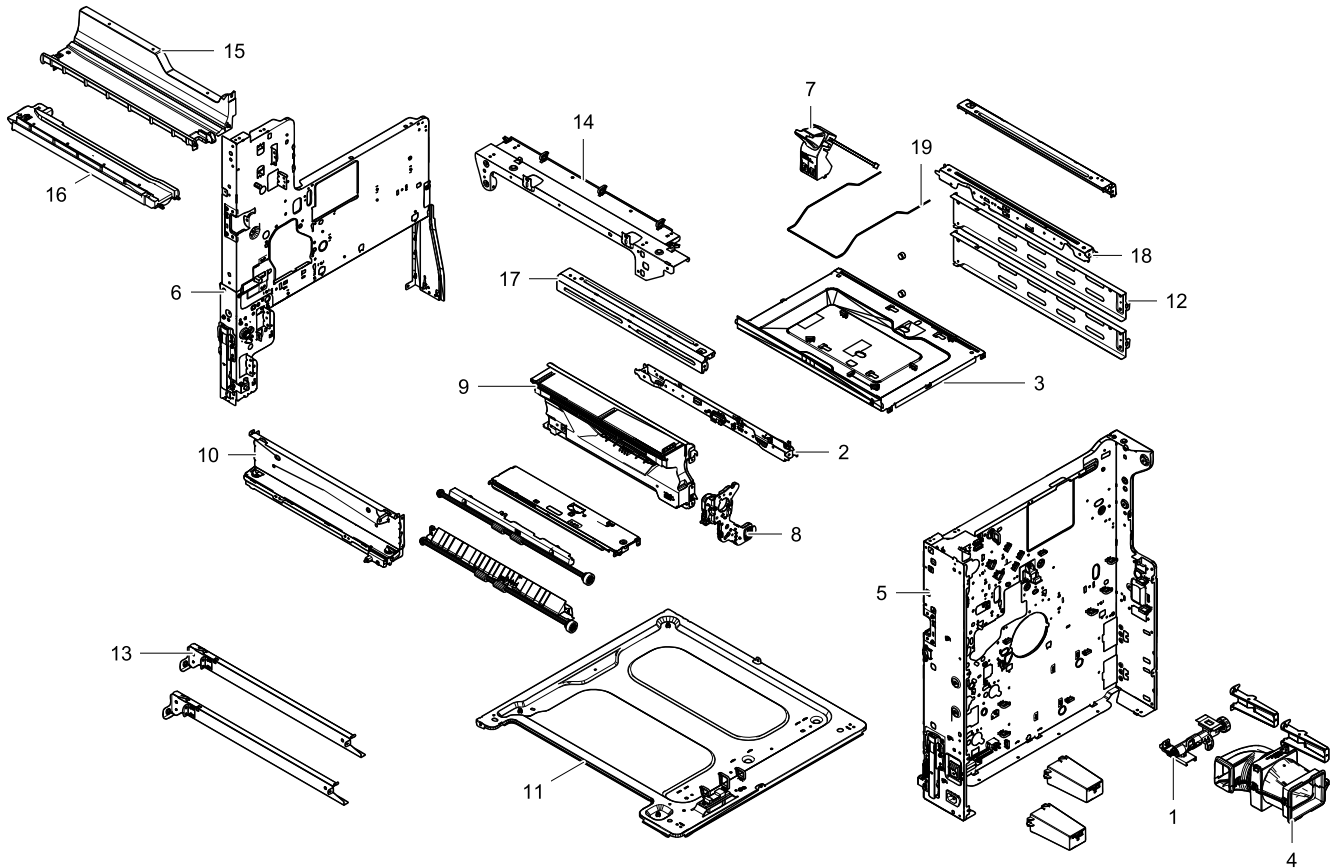


Parts List

No.	Lvl.	Loc.	Material Code	Description & Specification	SNA	Qty.
0	4		JC93-00504A	FRAME MAIN-PICKUP UPPER; CLX-9201,SEC	SNA	1
1	5		JC93-00437A	FRAME MAIN-PICKUP BRKT UPPER; CLX-9201,SE	SNA	1
2	5		JC66-03284A	SHAFT-PICKUP; CLX-9201,SUS303,129,6,STEEL	SNA	1
3	5		JC66-03199A	ACTUATOR-EMPTY PICKUP; CLX-9201,POM,22,73	SA	1
4	5	H3704	JC66-00977A	CLUTCH-P_ONE WAY; SCX-6345N/XRX,OWC612GXR	SA	1
5	5	I5681	JC66-00943A	GEAR-M_PU JOINT; SCX-6345N/XRX,POM,0.7,21	SA	1
6	5	I5669	JC66-00941A	GEAR-M_ONE WAY; SCX-6345N/XRX,POM,0.7,21,	SA	1
7	5	I5652	JC66-00940A	GEAR-M_IDLE PU; SCX-6345N/XRX,POM,0.7,22,	SA	1
8	5		JC61-04736A	GUIDE-PICKUP UPPER; CLX-9201,ABS,15,305,2	SNA	1
9	5		JC61-04722A	GUIDE-SLIDE PICKUP; CLX-9201,POM,120,46,M	SNA	1
10	5		JC61-04716A	GUIDE-SUPPORT PICKUP; CLX-9201,POM,153,43	SNA	1
11	5		JC61-04670A	BRACKET-GRN PICKUP; CLX-PPF100,SUS304,0.2	SNA	1
12	5	I7155	JC61-01288A	HOLDER-M_IDLE ONE WAY; SCX-6345N/XRX,POM,	SA	1
13	5		6107-003046	SPRING-CS; SUS304,0.65,17,6.45,RIGHT HAND	SNA	1
14	5	E9322	0604-001393	PHOTO-INTERRUPTER; TR,75mW,BGA,TR	SA	2

6.3.2. FRAME-MAIN

Exploded View



Parts List

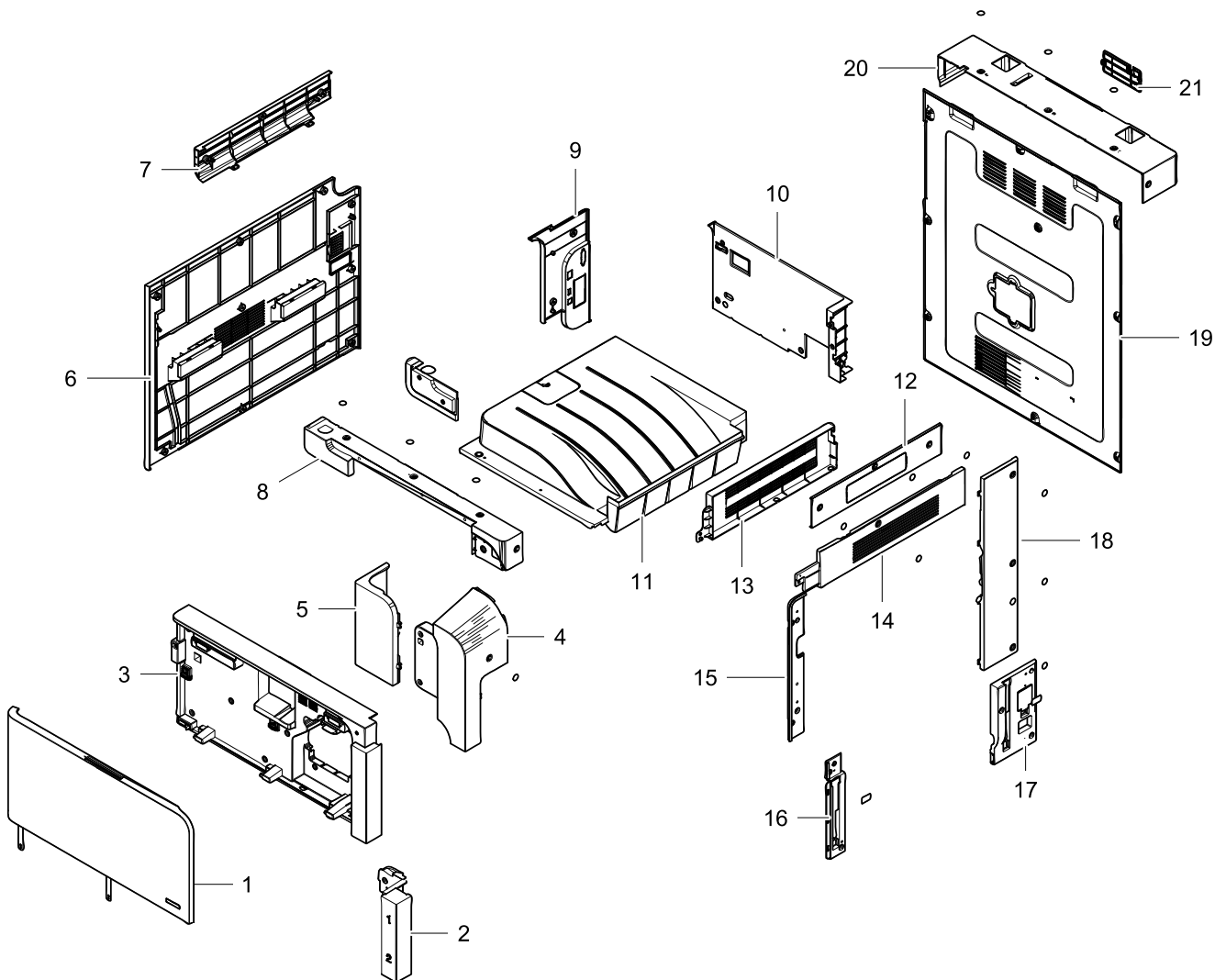
No.	Lvl.	Loc.	Material Code	Description & Specification	SNA	Qty.
1	3		JC93-00432A	FRAME-DUCT; SCX-8128NA,SEC	SNA	1
2	3		JC93-00453A	FRAME MAIN-FEED SENSOR; SCX-8128NA,SEC,WO	SNA	1
3	3		JC93-00454A	FRAME MAIN-HVPS LOWER; SCX-8128NA,SEC,WOR	SNA	1
4	3		JC93-00455A	FRAME MAIN-DUCT OZONE; SCX-8128NA,SEC,WOR	SNA	1
5	3		JC93-00458A	FRAME MAIN-REAR; SCX-8128NA,SEC,WORLD	SNA	1
6	3		JC93-00460A	FRAME MAIN-FRONT; SCX-8128NA,SEC,WORLD	SNA	1
7	3		JC93-00462A	FRAME-DUCT OPC BLOWIN; SCX-8128NA,SEC,WOR	SNA	1
8	3		JC93-00464A	FRAME-REAR HIGH VOLTAGE; SCX-8128NA,SEC,W	SNA	1
9	3		JC93-00465A	FRAME-MIDDLE DUCT; SCX-8128NA,SEC,WORLD	SNA	1

Exploded Views and Parts List

No.	Lvl.	Loc.	Material Code	Description & Specification	SNA	Qty.
10	3		JC93-00467A	FRAME-MIDDLE SUPPORT FUSER; SCX-8128NA,SE	SNA	1
11	3		JC93-00468A	FRAME BASE-BOTTOM; SCX-8128NA,SEC,WORLD	SNA	1
12	3		JC93-00477A	FRAME MAIN-LEFT CST RAIL; CLX-9201,SEC,WO	SNA	2
13	3		JC93-00478A	FRAME MAIN-RIGHT CST RAIL; CLX-9201,SEC,W	SNA	2
14	3		JC93-00484A	FRAME MAIN-SUPPORT SCAN RIGHT; CLX-9201,S	SNA	1
15	3		JC61-04864A	GUIDE-TONER BOTTLE; SCX-8128NA,HIPS,119.8	SNA	1
16	3		JC61-04863A	GUIDE-OPC; SCX-8128NA,HIPS,89.8,430.94,HR	SNA	1
17	3		JC61-04835A	PLATE-TOP EXIT MONO; SCX-8128NA,EGI-SECC,	SNA	2
18	3		JC61-04834A	PLATE-LSU LOWER; SCX-8128NA,EGI-SECC,T1.2	SNA	1
19	3		JC66-03274A	WIRE-GUIDE LSU; SCX-8128NA,SUS304,2,GUIDE	SNA	1

6.4. COVER

Exploded View



Parts List

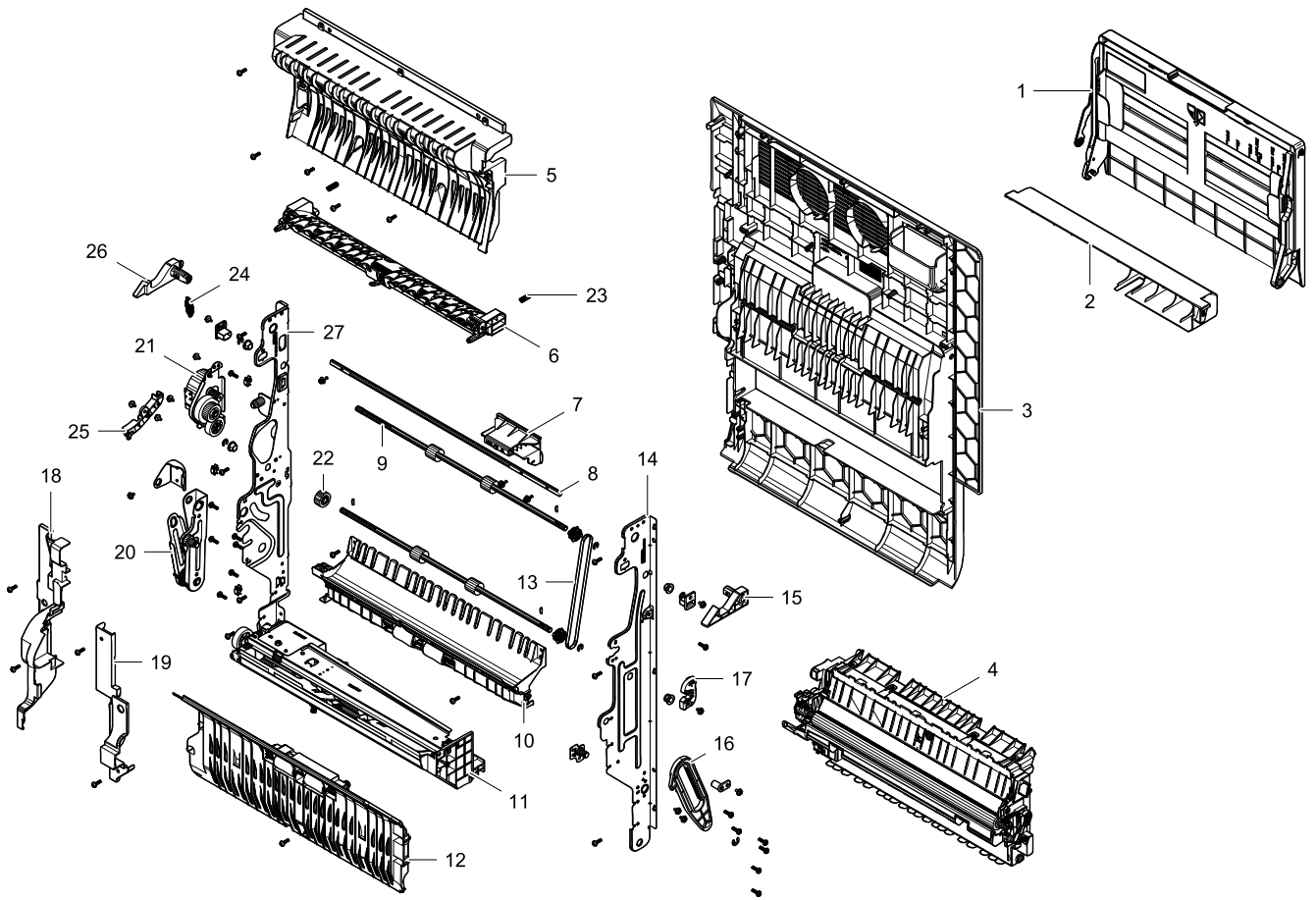
No.	Lvl.	Loc.	Material Code	Description & Specification	SNA	Qty.
1	2		JC95-01492A	COVER-FRONT MONO; SCX-8128NA,WORLD,SEC	SA	1
2	2		JC63-03405A	COVER-FRONT LOWER; CLX-9201,HIPS,T2,W112.	SNA	1
3	2		JC95-01494A	COVER-INNER MONO; SCX-8128NA,WORLD,SEC	SNA	1
4	2		JC63-03404A	COVER-FRONT TOP DECO; CLX-9201,HIPS,T2.5,	SNA	1
5	2		JC63-03403A	COVER-FRONT TOP; CLX-9201,HIPS,T2.5,W110.	SNA	1
6	2		JC95-01493A	COVER-LEFT MONO; SCX-8128NA,WORLD,SEC	SA	1

Exploded Views and Parts List

No.	Lvl.	Loc.	Material Code	Description & Specification	SNA	Qty.
7	2		JC63-03396A	COVER-SCAN LEFT; CLX-9201,HIPS,T2,W360.4,	SNA	1
8	2		JC95-01502A	COVER-SCAN FRONT; CLX-9201,WORLD,SEC	SNA	1
9	2		JC63-03406A	COVER-LEFT UPPER; CLX-9201,HIPS,T2,W156.2	SNA	1
10	2		JC63-03389A	COVER-EXIT REAR; CLX-9201,HIPS,T2,W371,L1	SNA	1
11	2		JC95-01499A	COVER-EXIT; CLX-9201,WORLD,SEC	SA	1
12	2		JC95-01503A	COVER-SCAN RIGHT; CLX-9201,WORLD,SEC	SNA	1
13	2		JC63-03391A	COVER-EXIT DUMMY; CLX-9201,HIPS,T2,W333,L	SNA	1
14	2		JC63-03402A	COVER-RIGHT TOP; CLX-9201,HIPS,T2,W82.8,L	SNA	1
15	2		JC63-03291A	COVER-RIGHT INNER MONO; SCX-8128NA,HIPS,T	SNA	1
16	2		JC63-03398A	COVER-RIGHT HANDLE; CLX-9201,HIPS,T2,W47.	SNA	1
17	2		JC95-01501A	COVER-RIGHT LOWER; CLX-9201,WORLD,SEC	SA	1
18	2		JC63-03292A	COVER-RIGHT MONO; SCX-8128NA,HIPS,T2,W95.	SNA	1
19	2		JC61-04568A	BRACKET-COVER REAR MONO; SCX-8128NA,SECC,	SNA	1
20	2		JC63-03332A	COVER-SCAN REAR; CLX-9201,HIPS,2.5,W550,L	SNA	1
21	2		JC63-03333A	COVER-CONNECTOR DADF; CLX-9201,HIPS,T2,W1	SNA	1

6.5. COVER-SIDE

Exploded View



Parts List

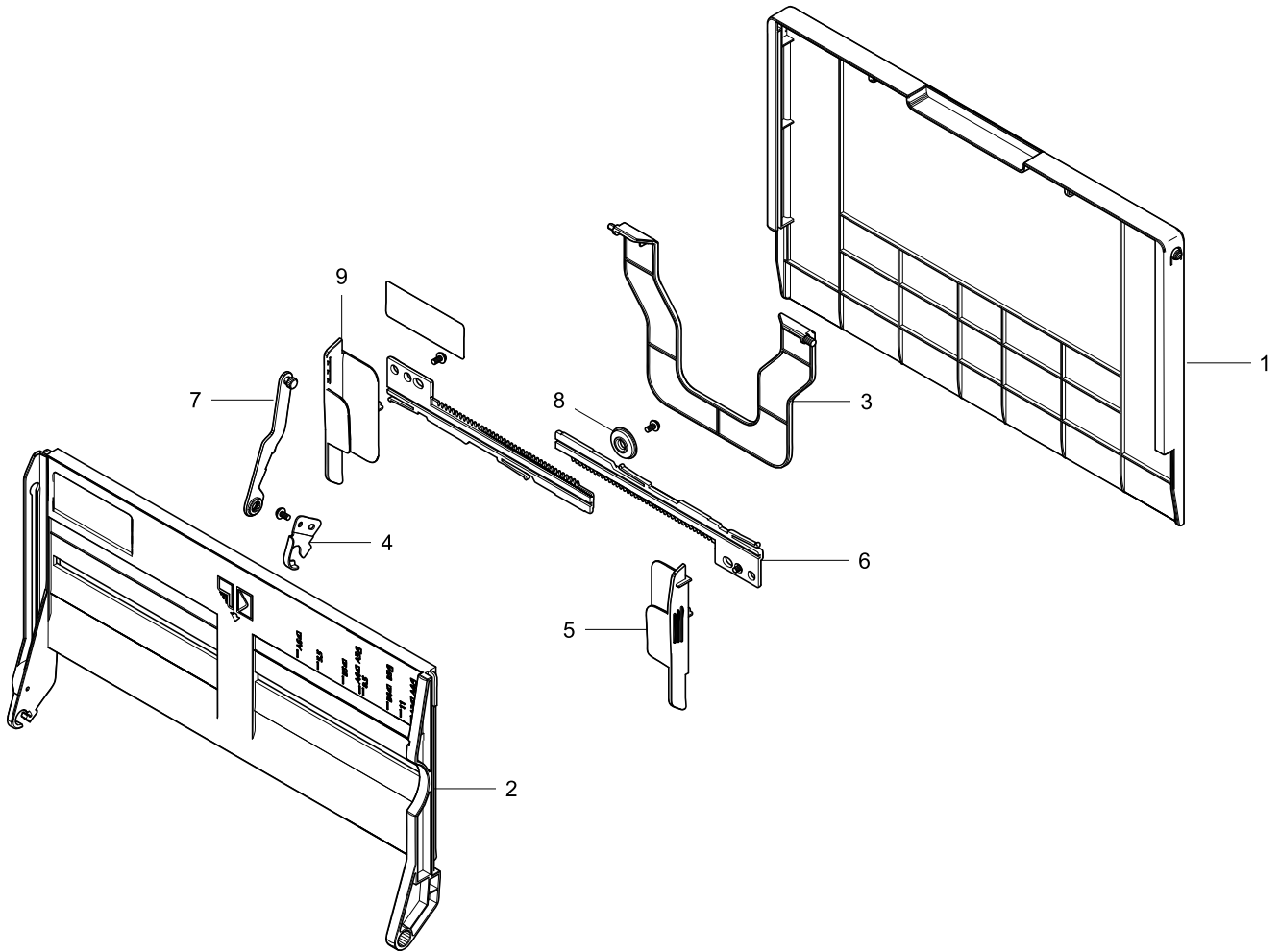
No.	Lvl.	Loc.	Material Code	Description & Specification	SNA	Qty.
1	2		JC90-01117A	MP-TRAY; CLX-9201,SEC	SNA	1
2	2		JC63-03356A	COVER-FRONT MP; CLX-9201,ABS,43.2,322.7,G	SNA	1
3	2		JC63-03360A	COVER-SIDE MONO; SCX-8128NA,ABS,394.8,428	SNA	1
4	2		JC95-01522A	COVER-SIDE DUPLEX; SCX-8128NA	SNA	1
5	2		JC61-04795A	GUIDE-DUPLEX UPPER; CLX-9201,ABS+PC,295.8	SA	1
6	2		JC95-01509A	COVER-SIDE EXIT; CLX-9201	SNA	1
7	2		JC64-00712A	HANDLE-SIDE; CLX-9201,ABS,73.8,40.8,HF-06	SNA	1
8	2		JC66-03301A	SHAFT-HANDLE; CLX-9201,SUM 23,391,6,STEEL	SNA	1
9	2		JC66-03179A	ROLLER-DUPLEX; CLX-9201,EPDM,16,GRAY,ETC	SNA	2
10	2		JC95-01519A	COVER-SIDE DUPLEX LOWER; SCX-8128NA	SNA	1
11	2		JC90-01139A	MP; CLX-9201,SEC	SNA	1

Exploded Views and Parts List

No.	Lvl.	Loc.	Material Code	Description & Specification	SNA	Qty.
12	2		JC95-01516A	COVER-SIDE TAKE AWAY; CLX-9201	SNA	1
13	2		6602-003299	BELT-TIMING GEAR; S2M328,RUB(CR),L328	SNA	1
14	2		JC61-04648A	BRACKET-FRONT SIDE MONO; SCX-8128NA,SEFC3	SNA	1
15	2		JC64-00710A	LOCKER-SIDE; CLX-9201,POM,NATURAL,60.5,F2	SA	1
16	2		JC66-03235A	LINK-D; CLX-9201,PC,133.8,BLACK	SA	1
17	2		JC64-00709A	LOCKER-GUIDE-FEED; CLX-9201,POM,BLACK,24.	SNA	1
18	2		JC63-03361A	COVER-HARNESS MONO; SCX-8128NA,ABS,94.1,2	SNA	1
19	2		JC63-03379A	COVER-HARNESS LOWER; CLX-9201,ABS,214,34.	SNA	1
20	2		JC95-01518A	COVER-SIDE LINK REAR; CLX-9201	SNA	1
21	2		JC95-01510A	COVER-SIDE DUPLEX MOTOR; CLX-9201	SNA	1
22	2		JC66-03292A	GEAR-EXIT; CLX-9201,POM,1.0,16,WHITE,18.4	SNA	1
23	2		6107-001731	SPRING-CS; SUS304,PI0.6,L16.6,ID4.7,OD5.9	SA	2
24	2		6107-003056	SPRING-ES; SWP B,1.0,6.0,8.0,26.8	SA	1
25	2		JC61-04872A	GUIDE-HARNESS; CLX-9201,ABS,61,38,HF-0660	SNA	1
26	2		JC64-00711A	LOCKER-SIDE REAR; CLX-9201,POM,NATURAL,60	SA	1
27	2		JC61-04649A	BRACKET-REAR SIDE MONO; SCX-8128NA,SEFC34	SNA	1

6.5.1. MP-TRAY

Exploded View

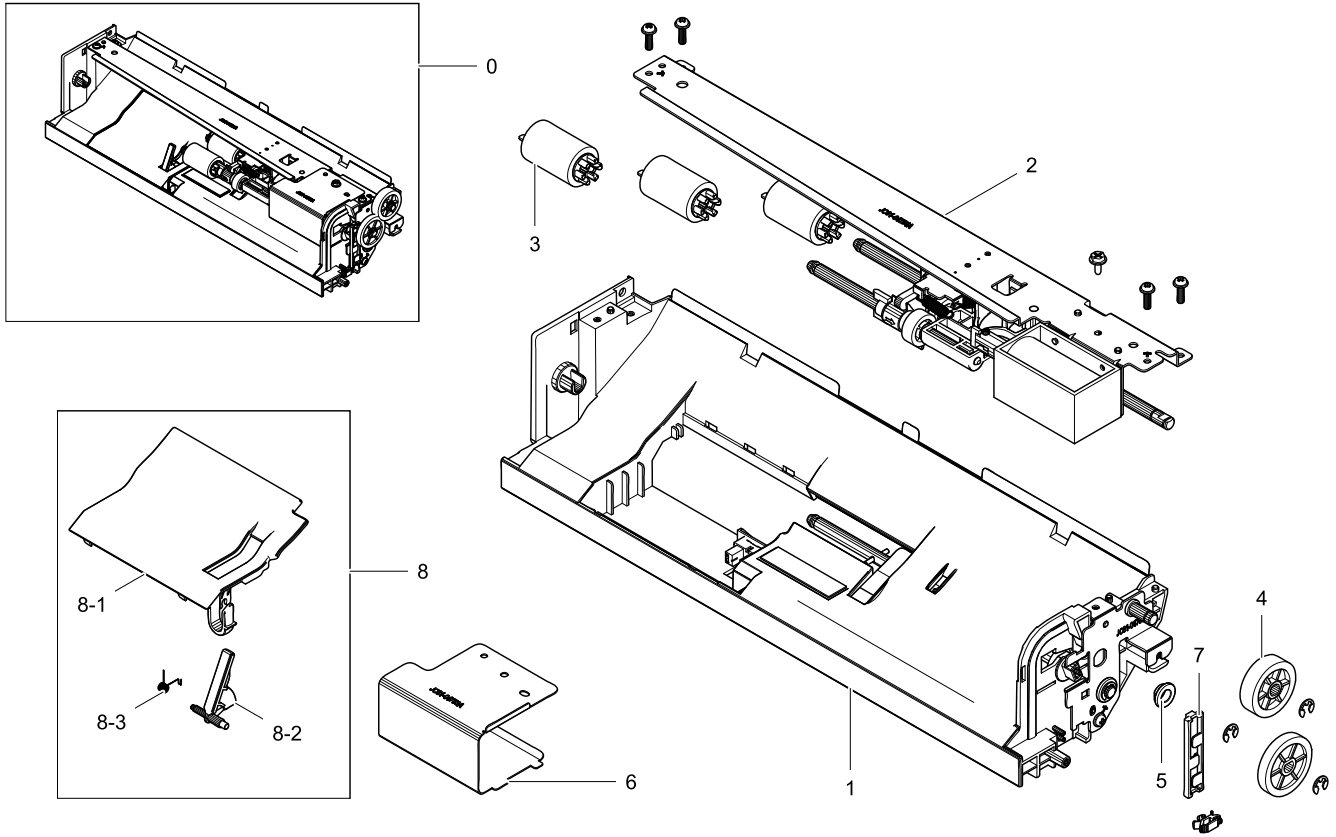


Parts List

No.	Lvl.	Loc.	Material Code	Description & Specification	SNA	Qty.
1	3		JC61-04759A	FRAME-TRAY-LOWER; CLX-9201,ABS,G32690,338	SA	1
2	3		JC61-04758A	FRAME-TRAY-UPPER; CLX-9201,ABS,G32690,330	SA	1
3	3		JC61-04763A	GUIDE-TRAY PAPER; CLX-9201,HIPS,161,113.6	SNA	1
4	3		JC61-04757A	BRACKET; CLX-9201,SECC,1T,18	SNA	1
5	3		JC61-04760A	GUIDE-SIDE F; CLX-9201,HIPS,64,19,FG-1790	SNA	1
6	3		JC66-03216A	GEAR-RACK; CLX-9201,POM,1,165,NATURAL,DE5	SNA	2
7	2		JC66-03220A	LINK-SIDE; CLX-9201,POM,94.7,7,NATURAL	SNA	1
8	3	C3690	JG66-40003A	GEAR-PINION; SF4000,POM,1,Z16,WHT	SA	1
9	3		JC61-04761A	GUIDE-SIDE R; CLX-9201,HIPS,64,16.5,FG-17	SNA	1

6.5.2. MP

Exploded View

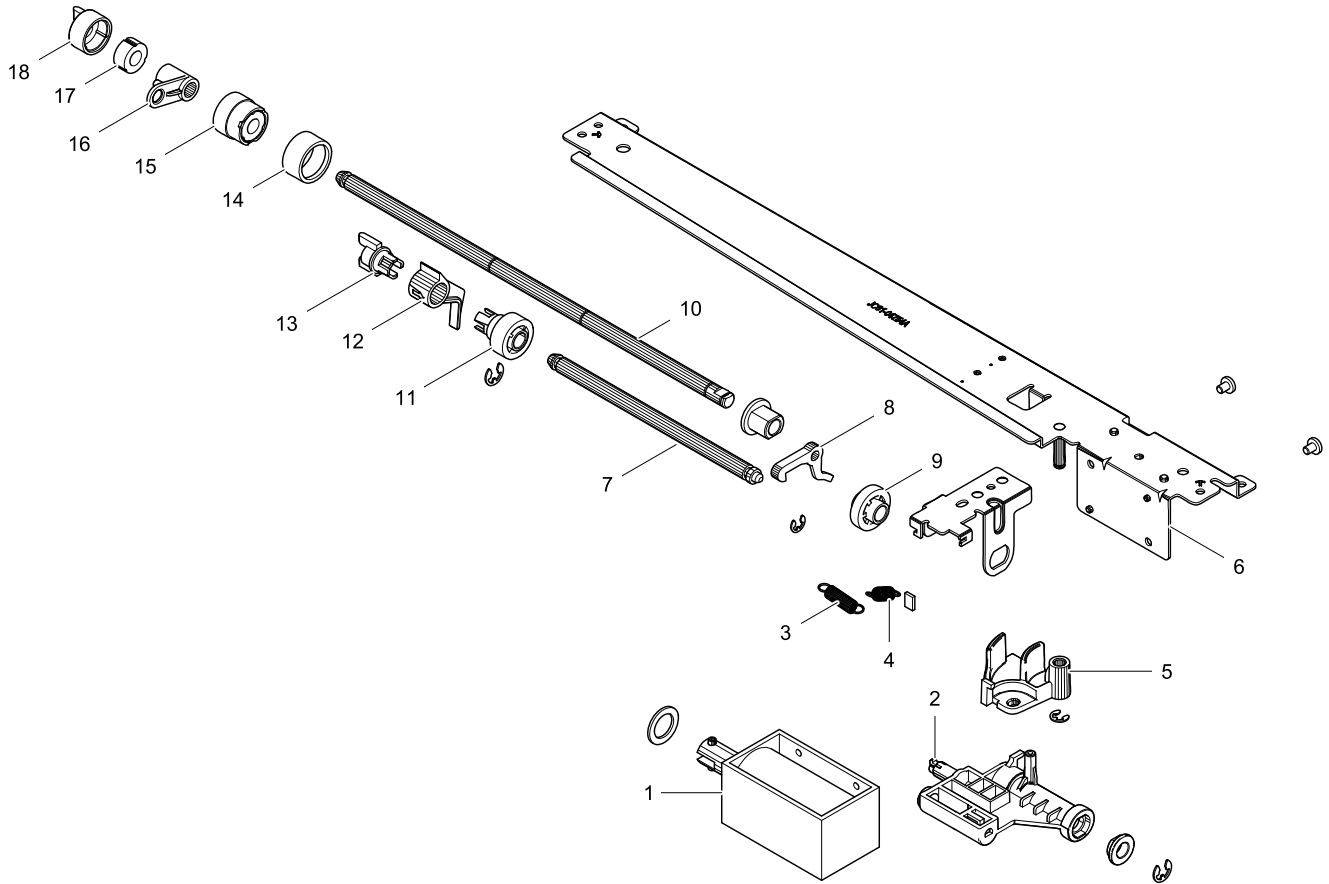


Parts List

No.	Lvl.	Loc.	Material Code	Description & Specification	SNA	Qty.
0	2		JC90-01139A	MP; CLX-9201,SEC	SNA	1
1	3		JC90-01126A	MP GUIDE-MAIN; CLX-9201,SEC	SNA	1
2	3		JC90-01125A	MP-BRACKET PICK UP; CLX-9201,SEC	SNA	1
3	3		JC93-00540A	FRAME-MAIN PICK UP ROLLER; CLX-9201	SA	3
4	3		JC66-03215A	GEAR-IDLE MP; CLX-9201,POM,1,26,NATURAL,2	SNA	1
5	3	H1184	JC61-00699A	BUSH-D6/L4; CLP-500,Fe+Cu+Zn-Slearate,6	SA	1
6	3		JC61-04753A	BRACKET-SOLENOID; CLX-9201,SECC,0.6T,64.6	SNA	1
7	3		JC61-04762A	GUIDE-HARNESS R; CLX-9201,ABS,10,43.5,HF-	SNA	1
8	3		JC90-01124A	MP-COVER BASE; CLX-9201,SEC	SNA	1
8-1	4		JC63-03357A	COVER-GUDIE BASE; CLX-9201,ABS,89.5,69.1,	SNA	1
8-2	4		JC66-03217A	LEVER-EMPTY PAPER; CLX-9201,POM,20.4,31,M	SNA	1
8-3	4		6107-001771	SPRING-TS; SUS304,PI0.25,ID3.3,OD3.8	SA	1

6.5.2.1. MP-BRACKET PICK UP

Exploded View



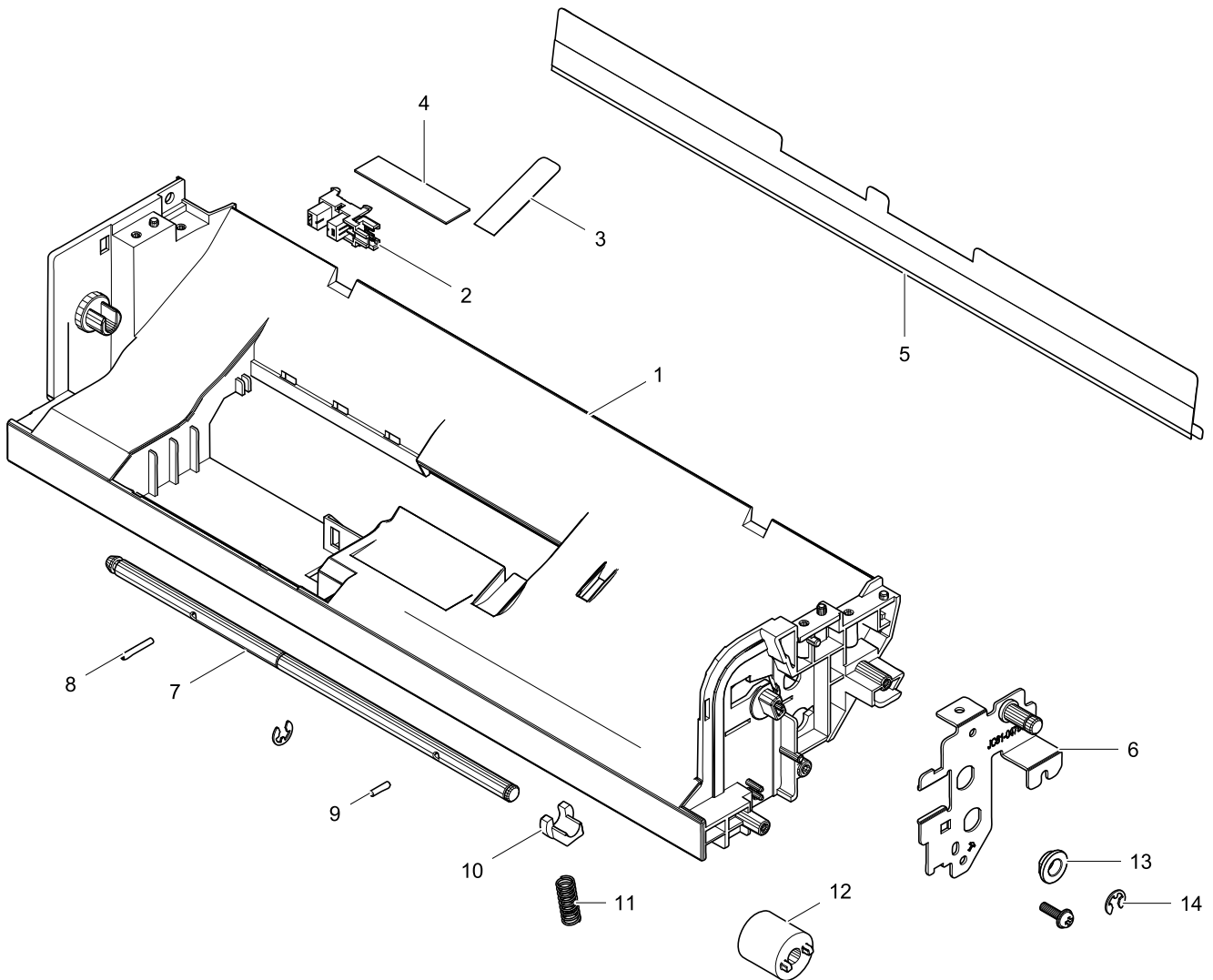
Parts List

No.	Lvl.	Loc.	Material Code	Description & Specification	SNA	Qty.
1	4		JC33-00029B	SOLENOID-MP; CLX-9350,DC24V,18.4,27*30,	SA	1
2	4		JC61-04876A	GUIDE-UPPER PU MP; CLX-9201,PC,34.9,61.9,	SNA	1
3	4		6107-003031	SPRING-ES; SWP B,0.65,25.1,4.4,5.7	SNA	1
4	4		6107-003026	SPRING-ES; SWP B,0.5,16.9,4,5	SNA	1
5	4		JC66-03218A	LEVER-SOLENOID; CLX-9201,POM,28,22.7,LZ75	SNA	1
6	4		JC90-01127A	MP-BRACKET UPPER; CLX-9201,SEC	SNA	1
7	4		JC66-03222A	SHAFT-PICK UP MP; CLX-9201,SUM 23,100.9,6	SNA	1
8	4		JC64-00705A	LOCKER-STOPPER; CLX-9201,POM,BLACK,15.1,D	SNA	1
9	4	15652	JC66-00940A	GEAR-M_IDLE PU; SCX-6345N/XRX,POM,0.7,22,	SA	1
10	4		JC66-03303A	SHAFT-FORWARD MP; CLX-9201,SUS303,197.4,6	SNA	1
11	4		JC66-03213A	GEAR-M PU; CLX-9201,POM,0.7,21,16.1	SNA	1
12	4		JC61-04766A	STOPPER-PAPER; CLX-9201,POM,9.8,18.2,M90-	SNA	1

No.	Lvl.	Loc.	Material Code	Description & Specification	SNA	Qty.
13	4		JC66-03221A	JOINT-PU; CLX-9201,POM,14,NATURAL	SNA	1
14	4		JC61-03332A	ROLLER-IDLE FORWARD; CLX-9350,POM,T8.5,OD	SNA	1
15	4		JC90-00918A	MP-ONE WAY; CLX-9350,SEC,-,-,-	SA	1
16	4		JC66-03219A	LEVER-HOOK; CLX-9201,POM,13.4,15.2,M90-44	SNA	1
17	4	H3704	JC66-00977A	CLUTCH-P_ONE WAY; SCX-6345N/XRX,OWC612GXR	SA	1
18	4	I7155	JC61-01288A	HOLDER-M_IDLE ONE WAY; SCX-6345N/XRX,POM,	SA	1

6.5.2.2. MP GUIDE-MAIN

Exploded View

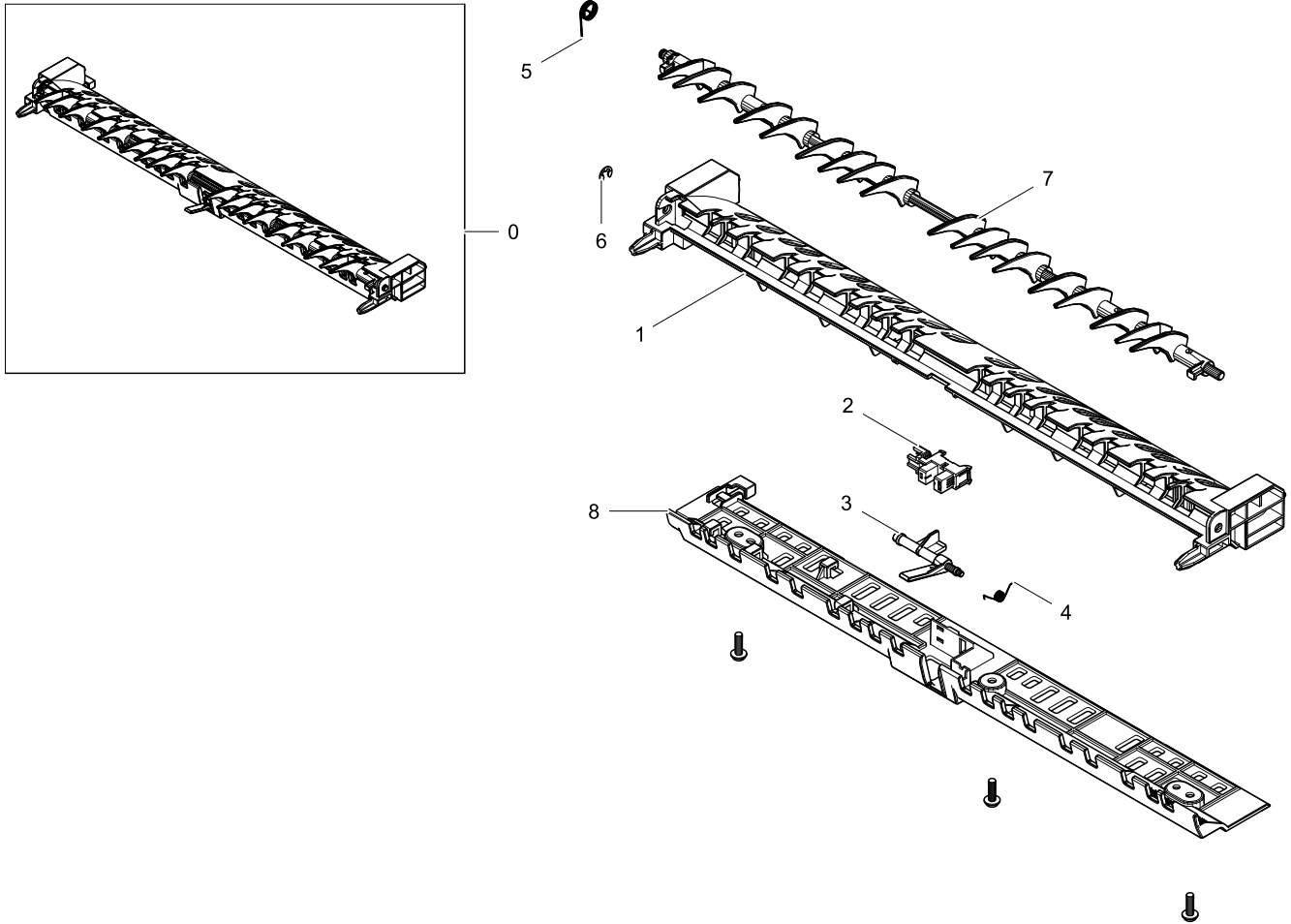


Parts List

No.	Lvl.	Loc.	Material Code	Description & Specification	SNA	Qty.
1	4		JC61-04764A	FRAME-BASE MP; CLX-9201,PC+GF,G32690,68.3	SNA	1
2	4	E9322	0604-001393	PHOTO-INTERRUPTER; TR,75mW,BGA,TR	SA	1
3	4		JC63-03359A	SHEET-STOPPER; CLX-9201,PET,0.188,9.5,35	SNA	1
4	4		JC69-02047A	PAD-MP; NYLON,CLX-9350,0.7T,W11.4*L44,Flo	SNA	1
5	4		JC63-03358A	SHEET-GUIDE MP; CLX-9201,PET,0.125,25,308	SNA	1
6	4		JC61-04755A	BRACKET; CLX-9201,SECC,1T,56.3,30.4	SNA	1
7	4		JC66-03223A	SHAFT-RETARD MP; CLX-9201,SUM 23,189.4,6,	SNA	1
8	4	K7705	6043-001097	PIN-SPRING; W,D2,L14,SUS304, T0.2	SA	1
9	4	S4107	JC66-00591A	SHAFT-HUB IN; ML-2150,SUM 24L,8.5,1.9	SNA	1
10	4		JC61-04765A	BUSH-RETARD MP; CLX-9201,POM,6,13,10,BLAC	SNA	1
11	4		6107-003032	SPRING-CS; SUS304,0.65,17,5.15,6.45	SNA	1
12	4		JC67-00455A	COUPLER-TORQUELIMITER; CLX-9350,WHITE,350	SNA	1
13	4	H1184	JC61-00699A	BUSH-D6/L4; CLP-500,Fe+Cu+Zn-Slearate,6	SA	1
14	4	F8266	6044-000125	RING-E; ID4,OD9,T0.6,STSC	SA	1

6.5.3. COVER-SIDE EXIT

Exploded View

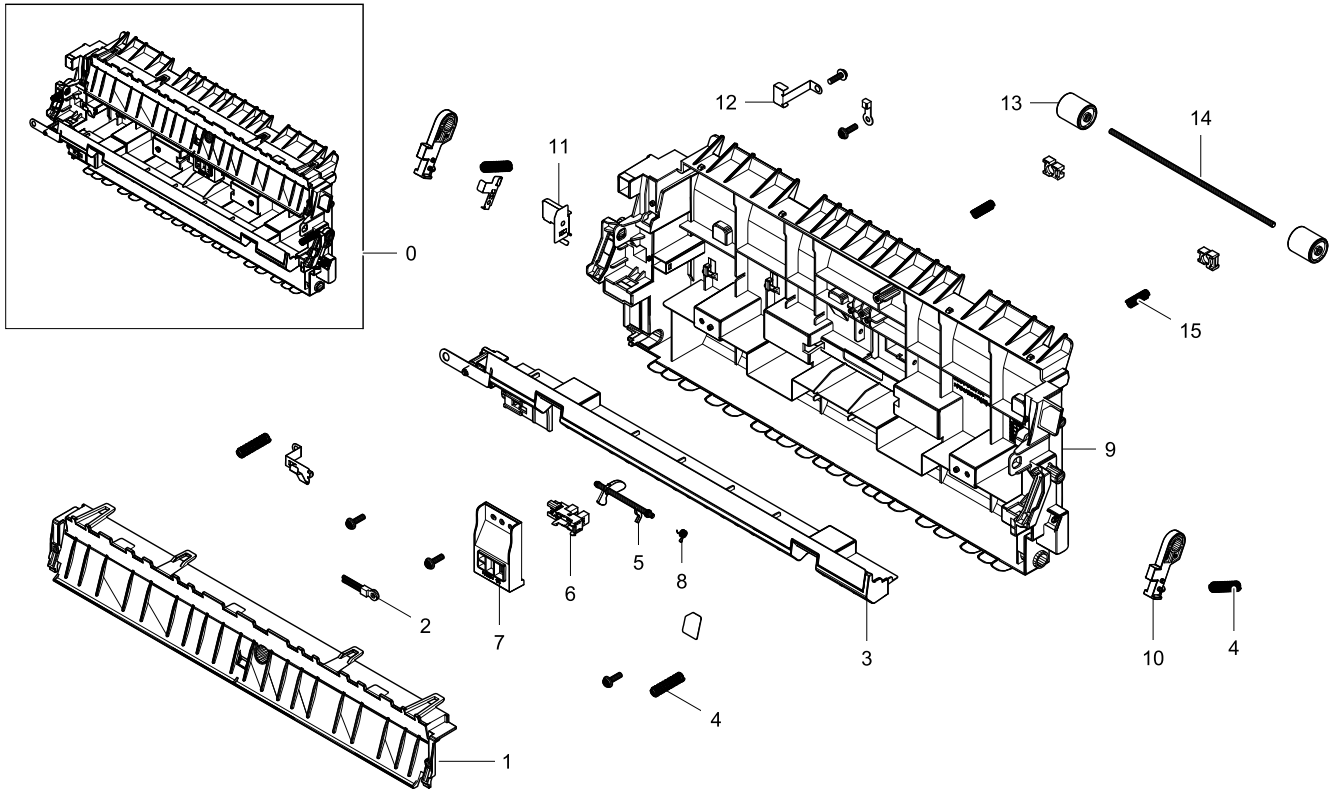


Parts List

No.	Lvl.	Loc.	Material Code	Description & Specification	SNA	Qty.
0	2		JC95-01509A	COVER-SIDE EXIT; CLX-9201	SNA	1
1	3		JC61-04791A	GUIDE-SIDE EXIT; CLX-9201,MPPO,328.6,47.1	SNA	1
2	3	E9322	0604-001393	PHOTO-INTERRUPTER; TR,75mW,BGA,TR	SA	2
3	3		JC66-03307A	ACTUATOR-FUSER OUT; CLX-9201,MPPO,22.4,24	SA	1
4	3		6107-001737	SPRING-TS; SUS304,PI0.25,ID3.8,OD4.3,105	SA	1
5	3		6107-003055	SPRING-TS; SUS304,0.4,7.7,8.1,180	SA	1
6	3		6044-000123	RING-E; ID3,OD7,T0.6,PASS,STSC	SNA	1
7	3		JC61-04792A	GUIDE-GATE; CLX-9201,MPPO,336.5,19.1,N300	SNA	1
8	3		JC61-04892A	HOLDER-EXIT-SENSOR; CLX-9201,MPPO,331.5,3	SNA	1

6.5.4. COVER-SIDE DUPLEX

Exploded View



Parts List

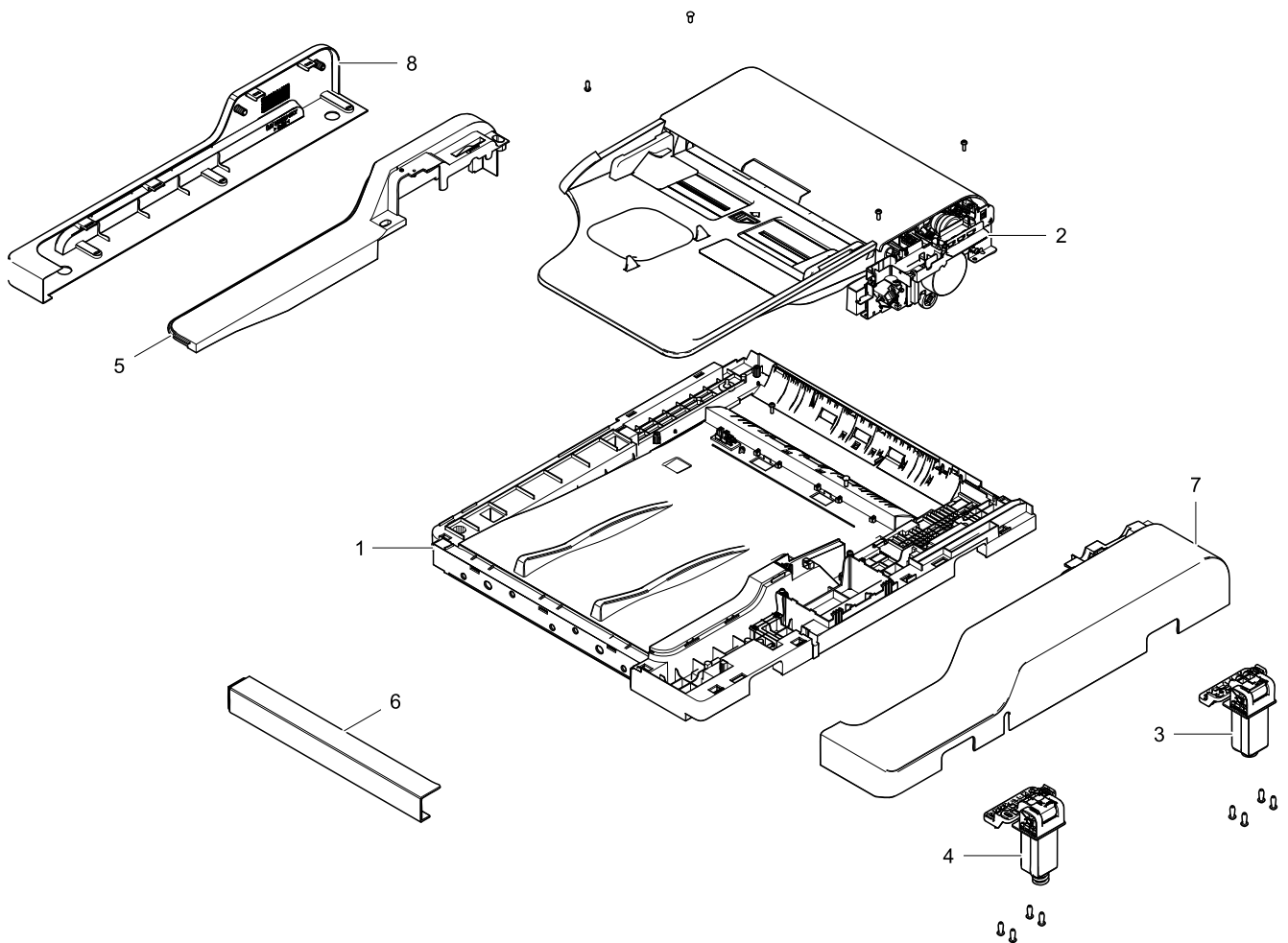
No.	Lvl.	Loc.	Material Code	Description & Specification	SNA	Qty.
0	2		JC95-01522A	COVER-SIDE DUPLEX; SCX-8128NA	SNA	1
1	3		JC61-04879A	GUIDE-TR UPPER; SCX-8128NA,ABS+PC,317.1,2	SNA	1
2	3		JC39-01654A	HARNESS-SIDE DUPLEX_TEMP; SCX-8213ND,UL10	SA	1
3	3		JC95-01551A	COVER-SIDE TR LOWER; SCX-8128NA	SNA	1
4	3		6107-003021	SPRING-CS; SWP B,0.8,21.1,4.5,6.1	SNA	4
5	3		JC66-02180A	ACTUATOR-DUPLEX 2; CLX-9350,PC HN-1064i,B	SA	1
6	3	E9322	0604-001393	PHOTO-INTERRUPTER; TR,75mW,BGA,TR	SA	2
7	3		JC61-04808A	HOLDER-DUP SNR; SCX-8128NA,ABS,12,46.3,BL	SNA	1
8	3		6107-001737	SPRING-TS; SUS304,PI0.25,ID3.8,OD4.3,105	SA	1
9	3		JC61-04877A	GUIDE-FEED MONO; SCX-8128NA,ABS+PC,357.8,	SNA	1
10	3		JC66-03277A	LINK-TR REAR; SCX-8128NA,POM,34.6,T2.0,BL	SNA	2
11	3		JC61-04650A	PLATE-GROUND TR; SCX-8128NA,SUS304,T0.2,2	SNA	1

Exploded Views and Parts List

No.	Lvl.	Loc.	Material Code	Description & Specification	SNA	Qty.
12	3		JC61-03581A	PLATE-GROUND_SAW_C; SCX-8040,STAINLESS-ST	SNA	1
13	3		JC66-02289B	ROLLER-IDLE; SCX-8040ND,POM SW-01,16,BLAC	SNA	2
14	3		JC66-02354A	SHAFT-ROLLER IDLE L; CLX-9350,SUM24L,137.	SNA	1
15	3		6107-001731	SPRING-CS; SUS304,PI0.6,L16.6,ID4.7,OD5.9	SA	2

7. DADF

Exploded View

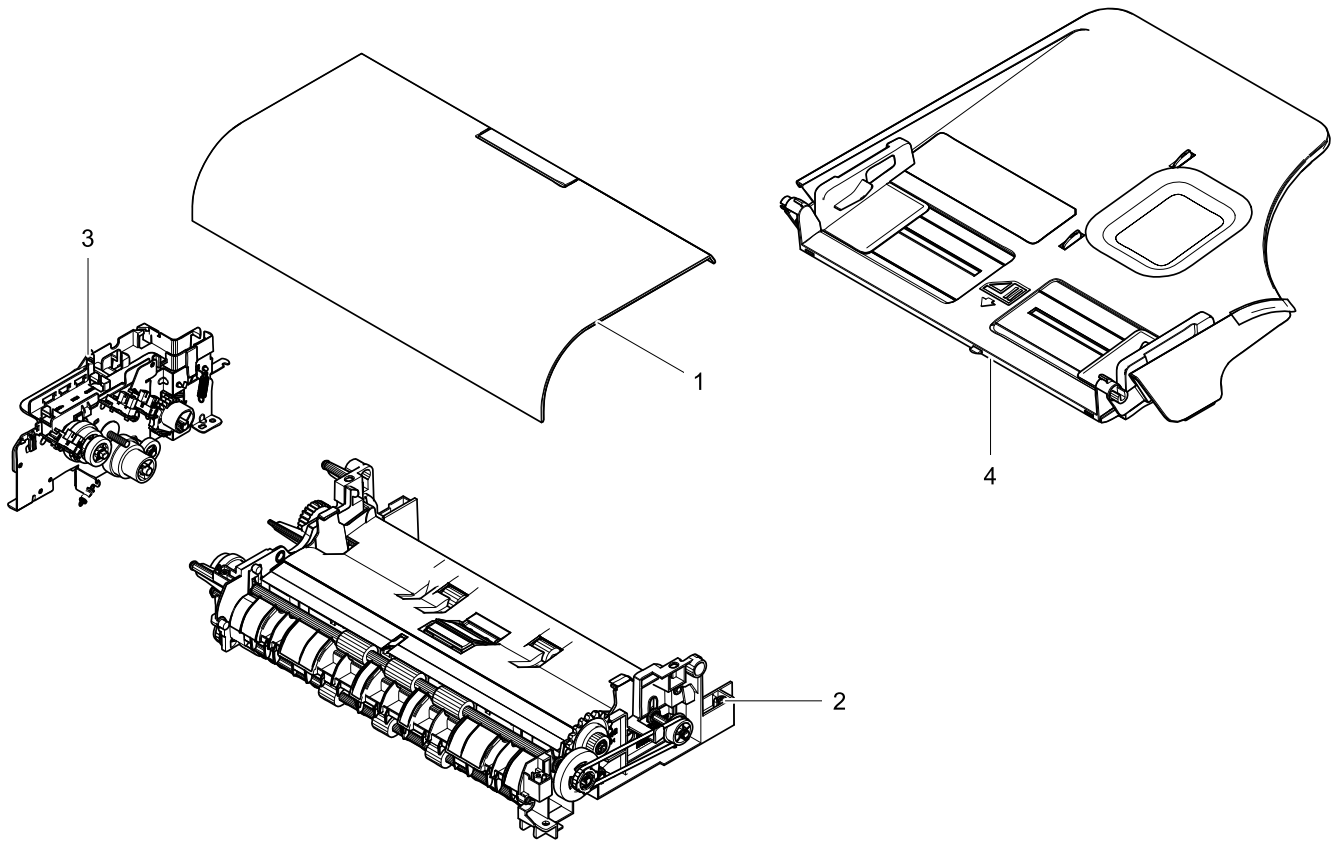


Parts List

No.	Lvl.	Loc.	Material Code	Description & Specification	SNA	Qty.
1	2		JC97-03997A	DADF PLATEN; CLX-9201,SEC	SNA	1
2	2		JC97-03991A	DADF-SUB; CLX-9201,SEC	SNA	1
3	2		JC97-03995A	DADF-HINGE L; CLX-9201,SEC	SNA	1
4	2		JC97-03996A	DADF-HINGE R; CLX-9201,SEC	SNA	1
5	2		JC63-03345A	COVER-SIDE_F; CLX-9201,HIPS,2,517.4,95,SP	SNA	1
6	2		JC63-03354A	COVER-DECO_R; CLX-9201,HIPS,2,315.12,32.1	SNA	1
7	2		JC63-03346A	COVER-SIDE_R; CLX-9201,HIPS,2,550,95,SPLI	SNA	1
8	2		JC63-03353A	COVER-DECO_F; CLX-9201,HIPS,2,535,64.5,SP	SNA	1

7.1. DADF-SUB

Exploded View

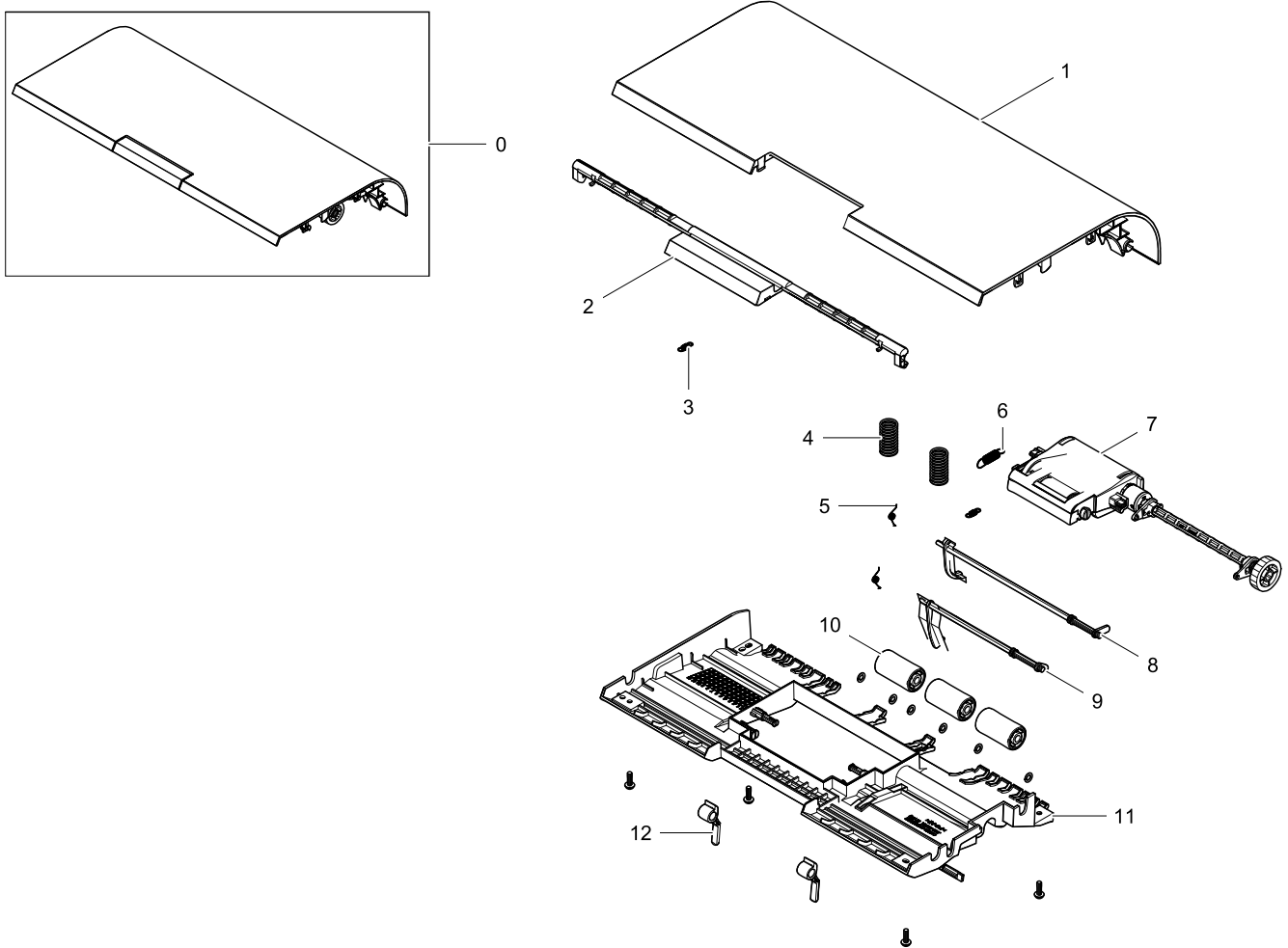


Parts List

No.	Lvl.	Loc.	Material Code	Description & Specification	SNA	Qty.
1	3		JC97-03990A	DADF OPEN-COVER; CLX-9201,SEC	SNA	1
2	3		JC97-03992A	DADF FRAME-MAIN; CLX-9201,SEC	SNA	1
3	3		JC97-03993A	DADF-MOTOR; CLX-9201,SEC	SNA	1
4	3		JC97-03994A	DADF STACKER; CLX-9201,SEC	SNA	1

7.1.1. DADF OPEN-COVER

Exploded View



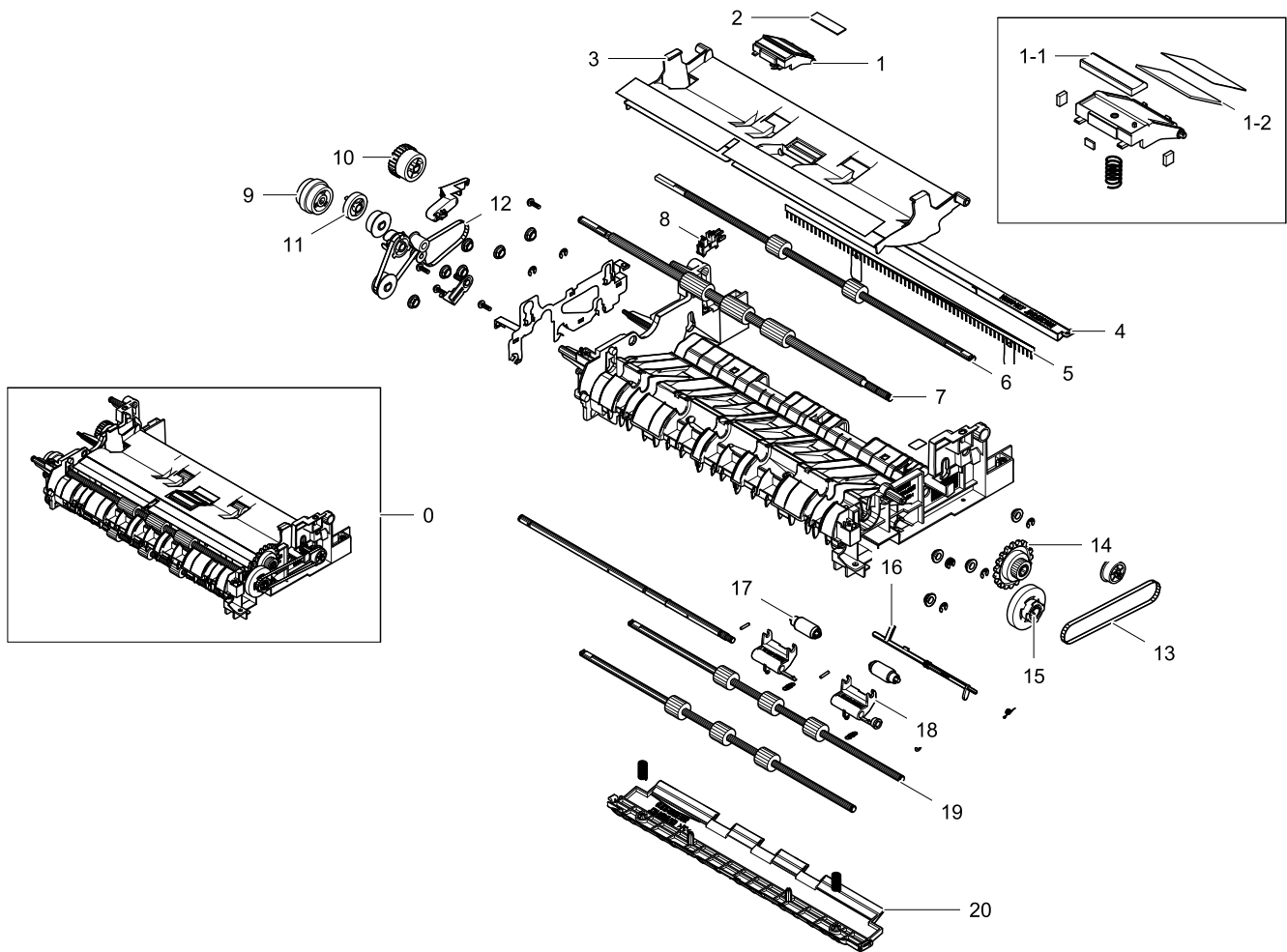
Parts List

No.	Lvl.	Loc.	Material Code	Description & Specification	SNA	Qty.
0	3		JC97-03990A	DADF OPEN-COVER; CLX-9201,SEC	SNA	1
1	4		JC63-03273A	COVER-OPEN; CLX-9201,HIPS,2.5,360.39,157.	SNA	1
2	4		JC64-00682A	HANDLE-COVER_OPEN; CLX-9201,HIPS,321.68,F	SNA	1
3	4		6107-003033	SPRING-ES; SWP,0.5,12.8,3.8,9	SNA	2
4	4		6107-003022	SPRING-CS; SWP,1.1,30.63,10.1,12.3,11.5,R	SNA	2
5	4		6107-001737	SPRING-TS; SUS304,PI0.25,ID3.8,OD4.3,105	SA	2
6	4	L7229	JC61-00482A	SPRING ETC-PICKUP; SCX-5100,SUS304-WPB,PI	SA	1
7	4		JC97-04009A	DADF GUIDE-PIKCUP; CLX-9201,SEC	SNA	1
8	4		JC66-03148A	ACTUATOR-REGI; CLX-9201,PC,156.8	SA	1
9	4		JC66-03147A	ACTUATOR-DETECT; CLX-9201,PC,120,BLACK,AC	SA	1
10	4		JC66-02384A	ROLLER-IDLE TAKE AWAY; CLX-9350,POM,18	SNA	3

No.	Lvl.	Loc.	Material Code	Description & Specification	SNA	Qty.
11	4		JC63-03274A	COVER-OPEN_INNER; CLX-9201,HIPS,2,302.7,1	SNA	1
12	4		JC61-04647A	STOPPER-PAPER; CLX-9201,POM,36.73,BLACK	SNA	2

7.1.2. DADF FRAME-MAIN

Exploded View



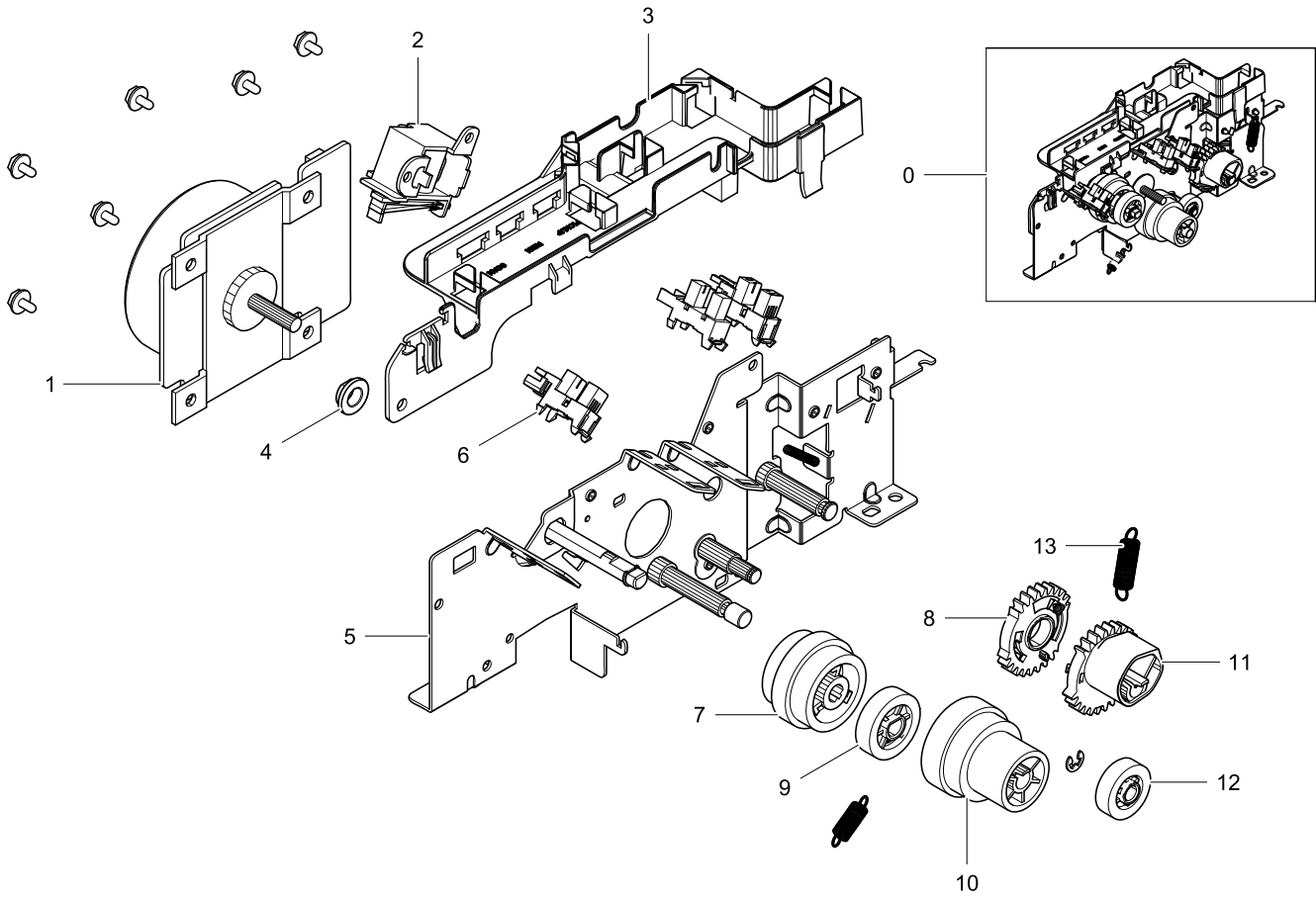
Parts List

No.	Lvl.	Loc.	Material Code	Description & Specification	SNA	Qty.
0	3		JC97-03992A	DADF FRAME-MAIN; CLX-9201,SEC	SNA	1
1	4	J9945	JC97-03097A	MEA-HOLDER ADF RUBBER; SCX-6555N,SEC,-,-,-	SA	1
1-1	5	F8687	JB73-00052A	RMO-ADF RUBBER; SCX-1110F,SILICON RUBBER,	SA	1
1-2	5	L4748	JC73-00235A	ROLLER-GUIDE MP; SCX-6345N/XRX,NBB,38*27.	SA	1

No.	Lvl.	Loc.	Material Code	Description & Specification	SNA	Qty.
2	4		JC69-02810A	PAD-GUIDE_PICKUP; CLX-9201,PU,1.0,10,35	SA	1
3	4		JC61-04583A	GUIDE-PICK_UP; CLX-9201,ABS,2,329.6,PATH	SNA	1
4	4		JC61-04908A	BRACKET-EXIT; CLX-9201,EGI-SECC,0.8,316.1	SNA	1
5	4		JC67-00562A	BRUSH-ANTISTATIC; CLX-9201,SUS FIBER,0.2,	SNA	1
6	4		JC66-03095A	ROLLER-EXIT; CLX-9201,EPDM,16,GRAY,ETC RO	SA	1
7	4		JC66-03094A	ROLLER-REGI; CLX-9201,EPDM,16,GRAY,ETC RO	SA	1
8	4	E9322	0604-001393	PHOTO-INTERRUPTER; TR,75mW,BGA,TR	SA	1
9	4		JC47-00033A	CLUTCH-ELECTRIC; ML-3200ND,DC24V,125mA,Z2	SA	1
10	4		JC66-03261A	GEAR-EXIT; CLX-9201,POM,1.0,27,BLACK,29.0	SA	1
11	4		JC66-03264A	GEAR-IDLE_CLUTCH; CLX-9201,POM,1.0,22,BLA	SA	1
12	4		6602-003183	BELT-TIMING GEAR; 40S2M304,RUBBER,W4.0,L3	SA	1
13	4		6602-003186	BELT-TIMING GEAR; 40S2M258,RUBBER,W4.0,L2	SA	1
14	4		JC66-03266A	GEAR-KNOB; CLX-9201,POM,0.8,20,BLACK,17.6	SA	1
15	4		JC66-03267A	GEAR-REDUCTION_KNOB; CLX-9201,POM,0.8,48,	SA	1
16	4		JC66-03184A	ACTUATOR-EXIT; CLX-9201,PC,126.2	SA	1
17	4		JC66-03177A	ROLLER-EXIT_IDLE; CLX-9201,POM,12.0,BLACK	SA	2
18	4		JC61-04832A	HOLDER-EXIT_IDLE_F; CLX-9201,POM,44,BLACK	SNA	1
19	4		JC66-03093A	ROLLER-FEED; CLX-9201,EPDM,16,GRAY,ETC RO	SA	2
20	4		JC61-04584A	GUIDE-WHITE_BAR; CLX-9201,PC,314,PATH	SNA	1

7.1.3. DADF-MOTOR

Exploded View



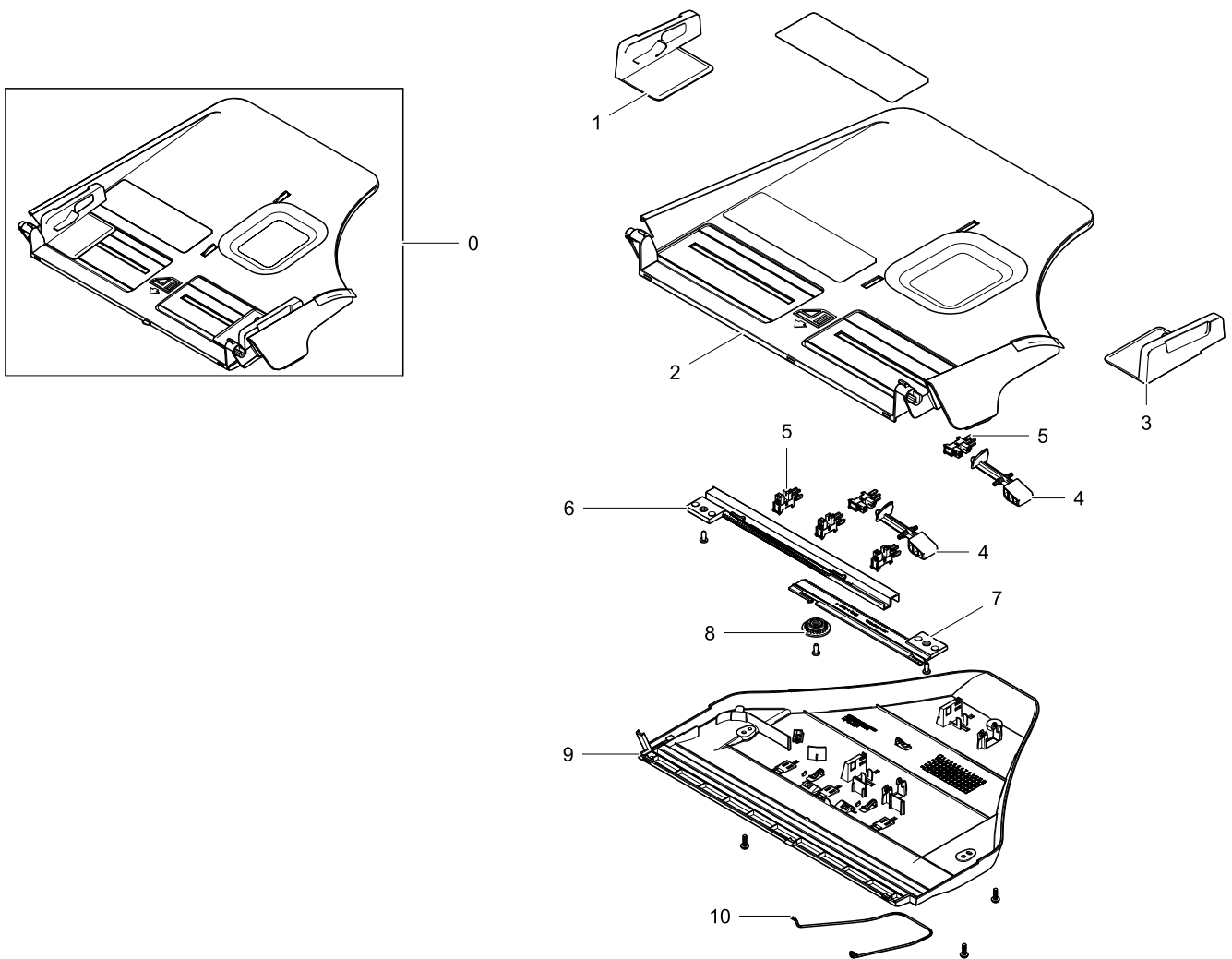
Parts List

No.	Lvl.	Loc.	Material Code	Description & Specification	SNA	Qty.
0	3		JC97-03993A	DADF-MOTOR; CLX-9201,SEC	SNA	1
1	4		JC31-00156A	MOTOR BLDC-TYPE1; 300~2500rpm,DC 24V,25W,	SA	1
2	4	P2163	JC33-00007A	SOLENOID-PICK UP; SCX-5100,DC 24V,80,36.5	SA	1
3	4		JC61-04534A	HOLDER-HARNESS; CLX-9201,HIPS,198,BLACK	SNA	1
4	4		JC61-00699B	BUSH-EXIT; CLX-9350,Fe+Cu+Zn-Slearate,6D,	SA	1
5	4		JC61-04627A	BRACKET-MOTOR; CLX-9201,EGI-SECC,1.0,NATU	SNA	1
6	4	E9322	0604-001393	PHOTO-INTERRUPTER; TR,75mW,BGA,TR	SA	1
7	4		JC47-00033A	CLUTCH-ELECTRIC; ML-3200ND,DC24V,125mA,Z2	SA	1
8	4		JC66-03260A	GEAR-CAM_OUTER; CLX-9201,POM,1.0,28,BLACK	SA	1
9	4		JC66-03265A	GEAR-PICKUP_IDLE; CLX-9201,POM,1.0,20,BLA	SA	1

No.	Lvl.	Loc.	Material Code	Description & Specification	SNA	Qty.
10	4		JC66-03263A	GEAR-REDUCTION; CLX-9201,POM,0.5/1.0,55/2	SA	1
11	4		JC66-03259A	GEAR-CAM_INNER; CLX-9201,POM,1.0,28,BLACK	SA	1
12	4		JC66-03262A	GEAR-EXIT_IDLE; CLX-9201,POM,1.0,16,BLACK	SA	1
13	4		6107-003036	SPRING-ES; SWP,0.55,20.8,5.5,22	SNA	1

7.1.4. DADF STACKER

Exploded View

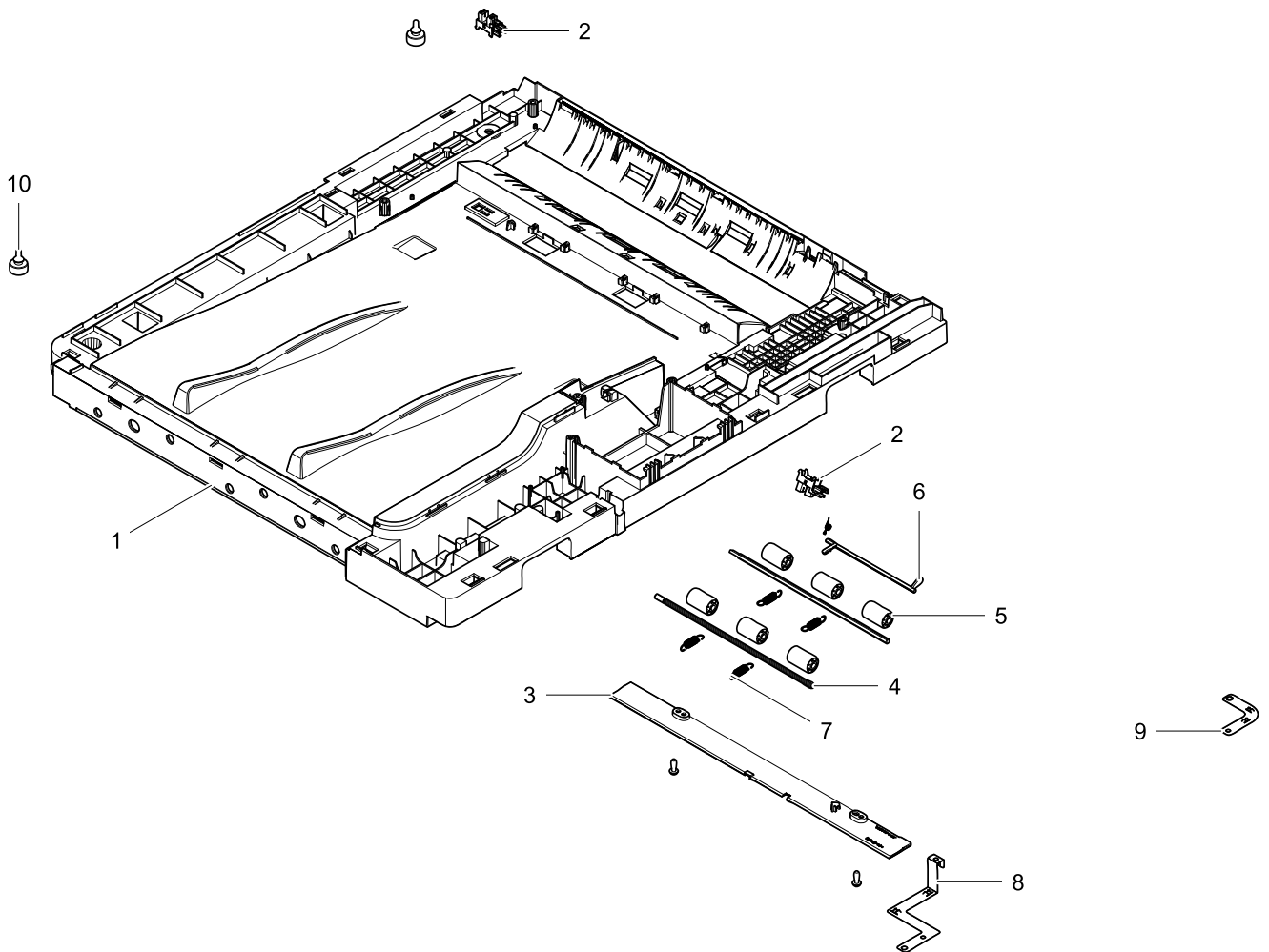


Parts List

No.	Lvl.	Loc.	Material Code	Description & Specification	SNA	Qty.
0	3		JC97-03994A	DADF STACKER; CLX-9201,SEC	SNA	1
1	4		JC61-04749A	GUIDE-DOC_R; CLX-9201,HIPS,2,94.74,FG-179	SNA	1
2	4		JC61-04746A	GUIDE-STACKER_UPPER; CLX-9201,HIPS,2,341.	SNA	1
3	4		JC61-04748A	GUIDE-DOC_F; CLX-9201,HIPS,2,95.22,FG-179	SNA	1
4	4		JC66-03209A	ACTUATOR-PAPER_LENGTH; CLX-9201,ABS,22,65	SA	2
5	4	E9322	0604-001393	PHOTO-INTERRUPTER; TR,75mW,BGA,TR	SA	1
6	4		JC61-04751A	GUIDE-GEAR_RACK_R; CLX-9201,ABS,37.03,224	SNA	1
7	4		JC61-04750A	GUIDE-GEAR_RACK_F; CLX-9201,ABS,33.08,158	SNA	1
8	4	L0401	JF72-41354A	PMO-GEAR PINION; CF4500,POM,NTR+WHT(DELRI	SNA	1
9	4		JC61-04747A	GUIDE-STACKER_LOWER; CLX-9201,HIPS,2,298.	SNA	1
10	4	I6561	JC61-01438A	GUIDE-STACKER WIRE; SCX-6345N/XRX,SUS,PI1	SNA	1

7.2. DADF PLATEN

Exploded View



Parts List

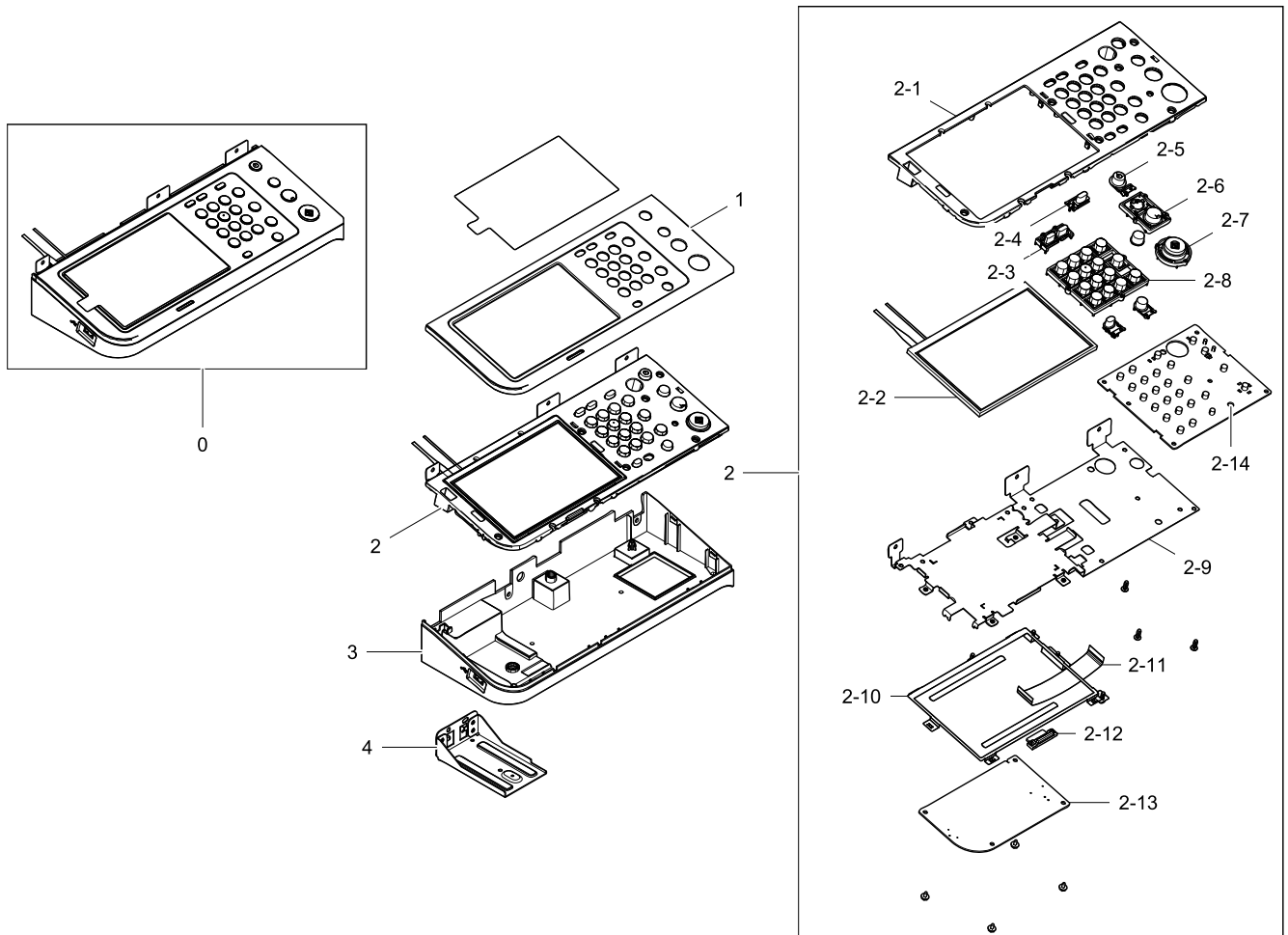
No.	Lvl.	Loc.	Material Code	Description & Specification	SNA	Qty.
1	3		JC63-03348A	COVER-PLATEN; CLX-9201,HIPS,2,482.5,548,S	SNA	1
2	3	E9322	0604-001393	PHOTO-INTERRUPTER; TR,75mW,BGA,TR	SA	2
3	3		JC63-03347A	COVER-DUMMY_PLATEN; CLX-9201,HIPS,2,24,30	SNA	1
4	3		JC66-03211A	SHAFT-IDLE_FEED; CLX-9201,SUM23,172,4	SNA	2
5	3	F8903	JC66-01022B	ROLLER-IDLE SCF; SCX-6555N,POM (SW-01),OD	SNA	6
6	3		JC66-03210A	ACTUATOR-SCAN; CLX-9201,PC,96.4,BLACK,ACT	SA	1
7	3		6107-003277	SPRING-ES; SWP A,0.45,18.2,5.6,11.5,RIGHT	SNA	4
8	3		JC63-03351A	GROUND-HINGE_RIGHT; CLX-9201,C5210P,0.2,4	SNA	1

Exploded Views and Parts List

No.	Lvl.	Loc.	Material Code	Description & Specification	SNA	Qty.
9	3		JC63-03349A	GROUND-HINGE_FRAME; CLX-9201,C5210P,0.2,4	SNA	1
10	3	I4848	JC61-40001A	FOOT-ML80; ML-80,NBR,GRAY	SNA	2

8. OPE

Exploded View



Parts List

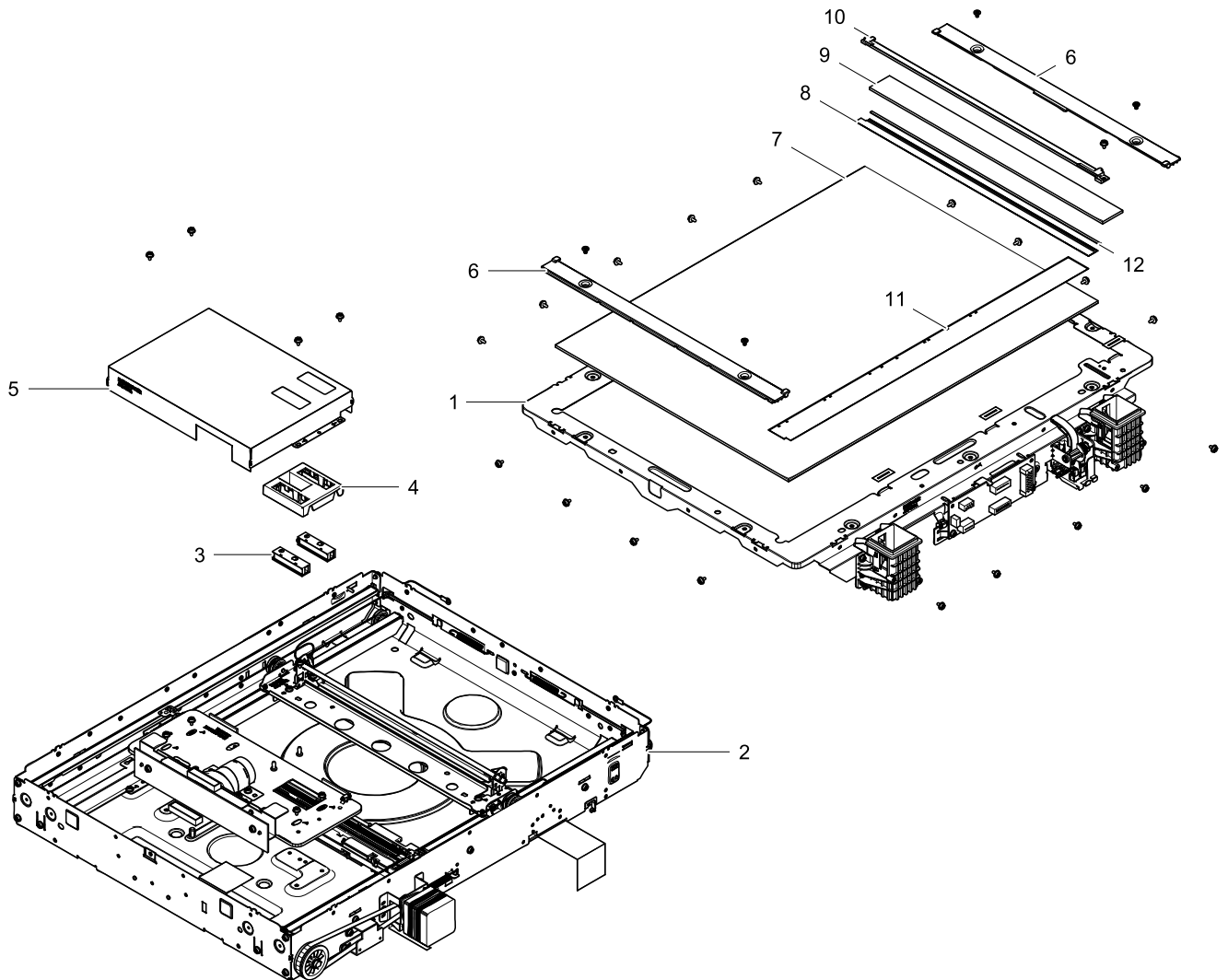
No.	Lvl.	Loc.	Material Code	Description & Specification	SNA	Qty.
0	1		JC97-04006B	OPE; CLX-9201,WORLD,SEC	SNA	1
1	2		JC63-03409A	COVER-FRONT DUMMY OPE; CLX-9201,ABS,T2.5,	SNA	1
2	2		JC97-04007B	OPE-FRONT; SCX-8128NA,WORLD,SEC	SNA	1
2-1	3		JC63-03407A	COVER-FRONT OPE; CLX-9201,ABS,T2.5,W322.4	SNA	1
2-2	3		JC07-00021A	LCD; LMS700KF28-0,SCX-6555N,800(H) x 480(SA	1
2-3	3		JC64-00683A	KEY-JOB STATUS; CLX-9201,ABS,37*15.8,T1.5	SNA	1
2-4	3		JC67-00586A	LENS-ECO; CLX-9201,PMMA,WT0052,24.7*12.4,	SNA	1
2-5	3		JC64-00691A	KEY-POWER; CLX-9201,PMMA,16.6*25,T1.5,WT0	SNA	1
2-6	3		JC64-00685A	KEY-STOP; CLX-9201,ABS,29.1*43.6,T1.5,353	SNA	1
2-7	3		JC64-00686A	KEY-START; CLX-9201,ABS,35*35,T1.5,C83180	SNA	1

Exploded Views and Parts List

No.	Lvl.	Loc.	Material Code	Description & Specification	SNA	Qty.
2-8	3		JC64-00684A	KEY-M TEL; CLX-9201,ABS,76*68.7,T1.5,G326	SNA	1
2-9	3		JC61-04561A	BRACKET-LCD; CLX-9201,SECC,T0.8,W303.6,L1	SNA	1
2-10	3		JC63-03310A	GROUND-TOUCH; CLX-9201,SUS,0.3,W171.25,L1	SNA	1
2-11	3		JC39-01575A	FLAT CABLE-KEY; CLX-9201,20P,0.065,140mm,	SA	1
2-12	3		JC67-00560A	LENS-STATUS; CLX-9201,PMMA,WT0052,34.3*14	SNA	1
2-13	4		JC92-02428A	PBA-OPE; SCX-8123ND,SEC,FR-4,2LAYER	SA	1
2-14	4		JC92-02435A	PBA-OPE KEY; CLX-9201/9251/9301,SEC,FR-1,	SA	1
3	2		JC63-03408A	COVER-BOTTOM OPE; CLX-9201,HIPS,T3,W329.4	SNA	1
4	2		JC61-04567A	BRACKET-SUPPORT; CLX-9201,SECC,T1,W61,L10	SNA	1

9. PLATEN FR HR

Exploded View



Parts List

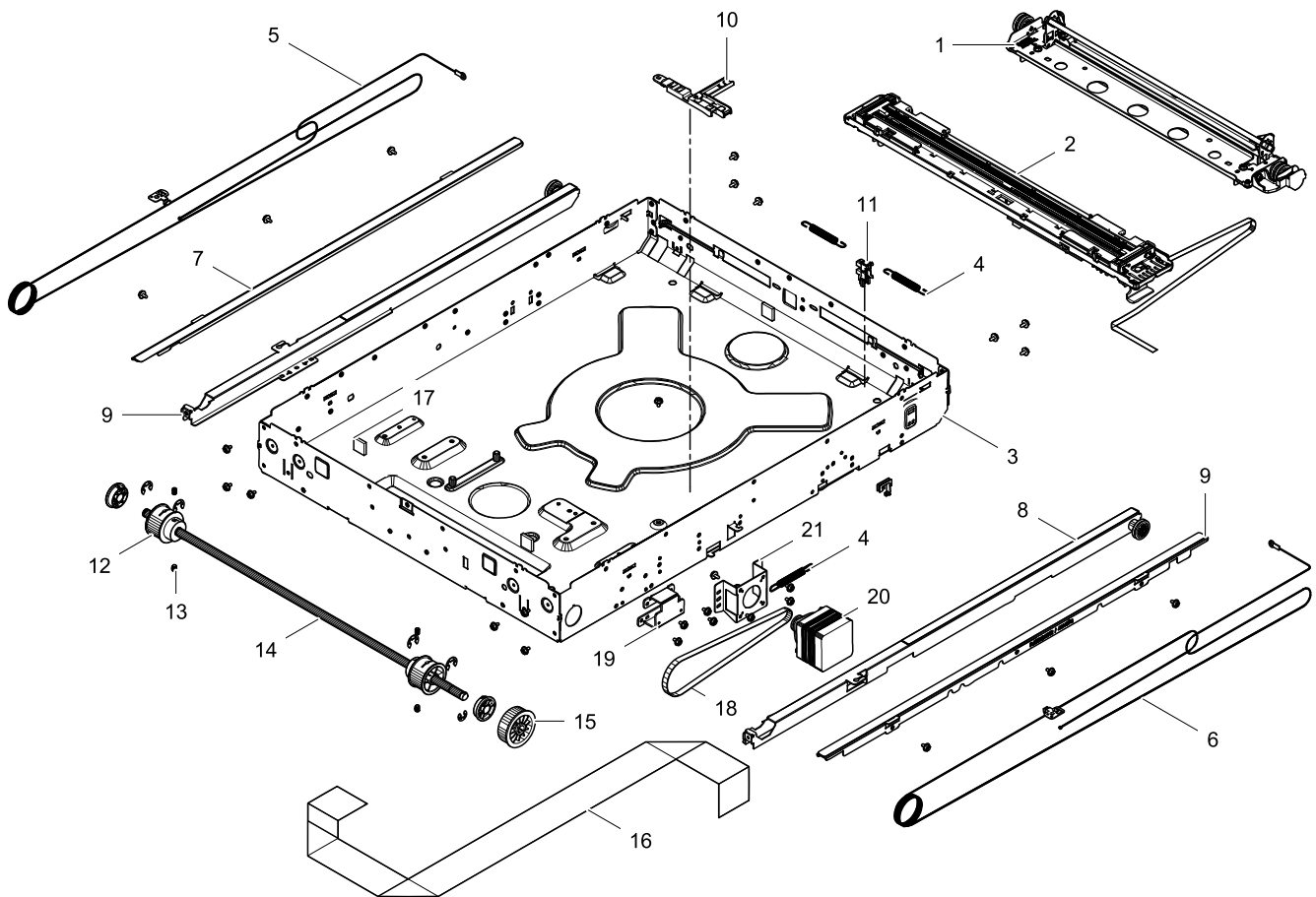
No.	Lvl.	Loc.	Material Code	Description & Specification	SNA	Qty.
1	3		JC97-04002A	PLATEN FR HR-UPPER; CLX-9201,SCANNER	SNA	1
2	3		JC97-03985A	PLATEN FR HR-LOWER; CLX-9201,SCANNER	SNA	1
3	2		0604-001453	PHOTO-INTERRUPTER; PHOTO IC,30mW,BULK	SA	2
4	2		JC61-04569A	HOLDER-APS; CLX-9201,ABS,60,60,BLACK	SNA	1
5	2		JC61-04638A	PLATE-ALIGN COVER; CLX-9201,EGI-SECC,0.5,	SNA	1
6	2		JC63-03296A	COVER-GLASS; CLX-9201,HIPS,346,24.79	SA	2
7	2		JC01-00072A	GLASS-SCAN; 459.4*346,3.2	SA	1
8	2		JC61-04814A	GUIDE-PAPER V; CLX-9201,PC,14.17,345.5,PA	SA	1
9	2		JC01-00073A	GLASS-SCAN ADF; 346*30,3.2	SA	1

Exploded Views and Parts List

No.	Lvl.	Loc.	Material Code	Description & Specification	SNA	Qty.
10	2		JC61-04811A	GUIDE-ADF-PATH; CLX-9201,PC,15.28,360.48,	SNA	1
11	2		JC61-04815A	GUIDE-PAPER H; CLX-9201,PC,29,444,PART	SA	1
12	2		JC63-03315A	SPONGE-GUIDE ADF; PORON,0.7,331,2.5,BLACK	SNA	1

9.1. PLATEN FR HR-LOWER

Exploded View



Parts List

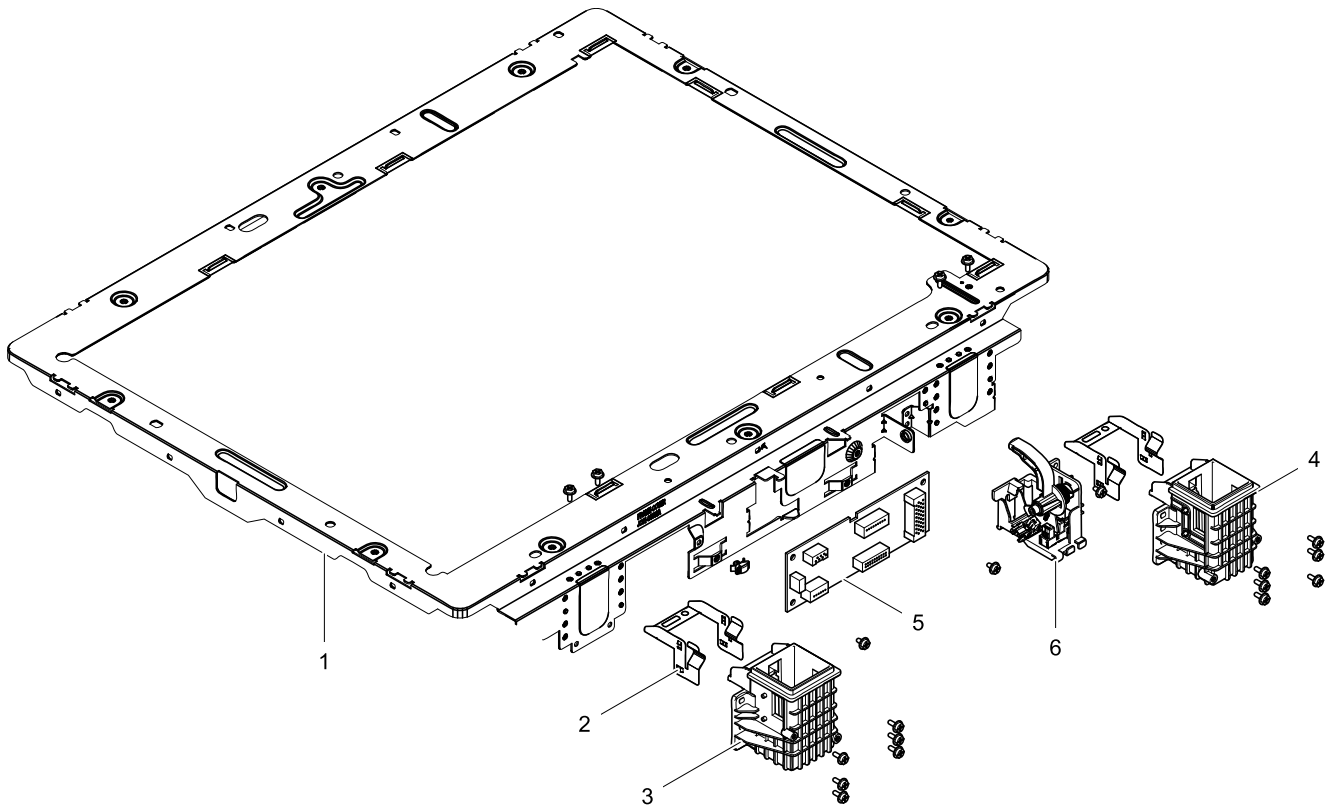
No.	Lvl.	Loc.	Material Code	Description & Specification	SNA	Qty.
1	4		JC97-03984A	PLATEN FR HR-CARRIAGE HR; CLX-9201,SCANNE	SNA	1
2	4		JC97-03983A	PLATEN FR HR-CARRIAGE FR; CLX-9201,SCANNE	SNA	1
3	4		JC61-04674A	FRAME-BASE; CLX-9201,EGI-SECC,1,409,532,P	SNA	1
4	4		6107-001698	SPRING-ES; SUS,PI0.8,L42,OD6.4	SA	2
5	4		JC97-03998A	PLATEN FR HR-STRING FRONT; CLX-9201,SCANN	SNA	1
6	4		JC97-03999A	PLATEN FR HR-STRING REAR; CLX-9201,SCANNE	SNA	1
7	4		JC97-03988A	PLATEN FR HR-RAIL UPPER; CLX-9201,SCANNER	SNA	2
8	4		JC97-03987A	PLATEN FR HR-RAIL LOWER R; CLX-9201,SCANN	SNA	1

Exploded Views and Parts List

No.	Lvl.	Loc.	Material Code	Description & Specification	SNA	Qty.
9	4		JC97-03986A	PLATEN FR HR-RAIL LOWER F; CLX-9201,SCANN	SNA	1
10	4		JC61-04572A	HOLDER-CABLE; CLX-9201,ABS,92,52,BLACK	SNA	1
11	4	E9322	0604-001393	PHOTO-INTERRUPTER; TR,75mW,BGA,TR	SA	1
12	4		JC66-03242A	PULLEY-DRIVING; CLX-9201,PC,BLACK,8,33	SA	2
13	4		JC64-00508A	HANDLE-SOCKET SET SCREW; CLX-9350,SWCH18A	SNA	4
14	4		JC66-03186A	SHAFT-DRIVING; CLX-9201,SUM 22,437.1,8.0,	SNA	1
15	4		JC66-02257A	PULLEY-BELT; CLX-9350,POM,WHITE,ID8,OD39	SA	1
16	4		JC39-01673A	FLAT CABLE-CCD IF; CLX-9201,40P,760mm,AWM	SA	1
17	4	I4855	JG61-40001A	FOOT-SF4000; SF4000,CR RUBBER,W14XL14,BLK	SA	3
18	4		6602-001725	BELT-TIMING GEAR; 366-1.5GT,Rubber(CR),W6	SA	1
19	4		JC61-04629A	BRACKET-SUPPORT; CLX-9201,SECC,1.6,56,27	SNA	1
20	4		JC31-00158A	MOTOR STEP; 17PM-K049-P6WS,1.2A,5.2W,2.2V	SA	1
21	4		JC61-04630A	BRACKET-MOTOR; CLX-9201,SECC,1.0,64,40.5	SNA	1

9.2. PLATEN FR HR-UPPER

Exploded View



Parts List

No.	Lvl.	Loc.	Material Code	Description & Specification	SNA	Qty.
1	4		JC61-04693A	FRAME-COVER; CLX-9201,EGI-SECC,1,411.8,53	SNA	1
2	4		JC63-03314A	GROUND-HINGE; CLX-9201,SUS,0,2,48.5,39.4,	SNA	2
3	4		JC61-04574A	HOLDER-HINGE-R; CLX-9201,ABS,61.3,61	SNA	1
4	4		JC61-04573A	HOLDER-HINGE-L; CLX-9201,ABS,59,63.1	SNA	1
5	4		JC92-02447A	PBA-SCAN JOINT; CLX-9201,SEC,FR-4,2LAYER	SA	1
6	4		JC97-04003A	PLATEN FR HR-OPEN SENSOR; CLX-9201,SCANNE	SNA	1